

## Bogen Nyquist VoIP Wall Baffle Combo Speaker with Integrated LED Text Display and LED Flasher (Model NQ-S1810WBC)



### Description

The Bogen Nyquist NQ-S1810WBC VoIP wall baffle combo speaker unit provides the same superior features as the NQ-S1810WT-G3 with the addition of a red LED messaging display and programmable flasher. There is no need for external amplifiers, traditional intercom wiring, or transformer taps to manually set or adjust. Connect the speakers via Cat5 to a PoE capable network switch (or add a PoE Injector for a non-PoE switch), add the station into the system and it is ready to operate. The message display can show a clock with date and time (seconds are optional), or user-programmable messaging for standard or emergency announcements. The flasher is completely programmable for color, duty cycle, and duration to differentiate alert types, and can be triggered independent of the message display.

As one would expect from Bogen, the HD audio quality is superb, with excellent incoming and outgoing intelligibility. Many two-way speakers use the speaker itself as the microphone, resulting in poor talkback audio quality. The Nyquist Series VoIP Wall Baffle speakers use a separate high-performance MEMS microphone to achieve superior talkback audio.

### Key Benefits

- ✓ **LED Message Display** to visually inform students and personnel of the date and time, or scroll emergency or standard messages
- ✓ **Programmable messages** for predefined or manually-input messages, with longer ones (up to 63 characters) scrolled across the display for a defined period of time
- ✓ **Programmable flasher** for gaining audience attention; use different colors for different types of alerts (e.g., fire, lockdown, weather, etc.) and system events.
- ✓ **Routines/Routines API functionality** for displaying messages, alerts, and flashes via predefined Routines triggered through system events or API calls

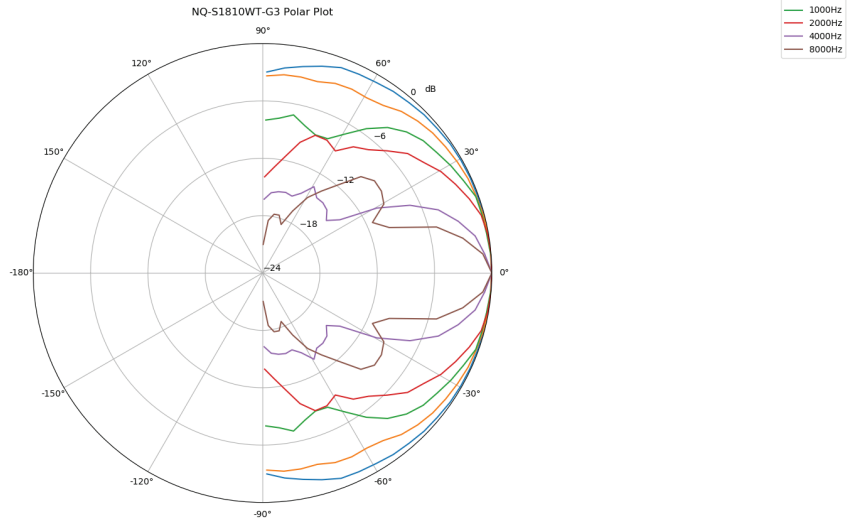
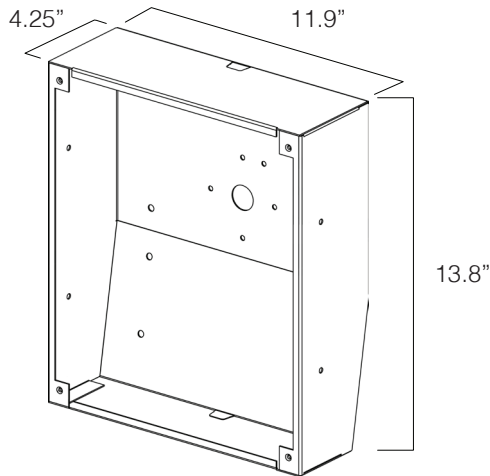
# Features

- 10/100 Ethernet connection
- PoE Class 3 - IEEE 802.3af compliant
- DHCP deployment for easy installation
- Pre-assembled for easy installation
- 10W integrated audio amplifier
- Reset button for restoring factory settings
- Form-C SPDT type 2A @ 30V DC dry contact relay output
- Built-in 72-hour automatic back-up Bell Schedules
- Selectable 12 or 24 hour clock time format
- DSP-based noise rejection and voice bandwidth optimization
- MEMS microphone for superior talkback audio
- CAN Bus 2.0 Interface connects to Nyquist Digital Call Switches (NQ-E7020-G2)
- Anti-reflective lens cover optimizes readability
- High density dot matrix display provides a wide viewing angle
- Extra large messaging characters
- Easy to read large clock display
- Display can be disabled by schedule to conserve power
- Separately adjustable display and flasher brightness levels - Off, Low, Medium, and High

---

# Technical Specifications

<b>Cone Diameter:</b>	8" (paper)
<b>Magnet Weight:</b>	10 oz.
<b>Power Rating (max.):</b>	10 Watts
<b>Frequency Response:</b>	95Hz-20kHz
<b>Sensitivity (min.):</b>	94 dB (1W @ 1m on axis)
<b>THD+N @ 1 kHz rated power:</b>	<1%
<b>Dispersion (min.):</b>	110°
<b>Display Type:</b>	High density dot matrix
<b>Character Heights:</b>	
<i>Message Display:</i>	1-15/16"
<i>Time Display:</i>	HH, MM - 2-1/16"
<i>Date Display:</i>	11/16"
<b>Flasher:</b>	Three high intensity RGB LEDs; Colors are software selectable: Amber, Blue, Green, Orange, Red, Violet, White, and Yellow
<b>Flasher Pattern:</b>	Disabled, Slow, Fast, Double, Triple, and Quad
<b>Software Power Taps:</b>	8, 4, 2, 1, 1/2, 1/4, 1/8 Watts
<b>CAN Bus 2.0 Connector:</b>	CAN Bus is via a Phoenix-style connector
<b>Output Connector:</b>	Relay via a Phoenix-style connector
<b>Operating Temperature:</b>	32°F to 100°F non-condensing
<b>Special Features:</b>	MEMS talkback microphone
<b>Networking:</b>	10/100 Ethernet
<b>Power-over-Ethernet Standard:</b>	Class 3 802.3af compliant
<b>Certifications:</b>	UL62368-1, EN55032, EN55035
<b>Product Weight:</b>	13 Lbs.
<b>Physical Dimensions:</b>	11.9" W x 13.8" H x 4.8" D
<b>Mounting Options:</b>	Flush, Surface Mount (Straight or 10° down angle)
<b>Construction:</b>	Powder coated steel back box and plastic injection molded front bezel with Powder coated metal grille.



## Applications



## A & E Specifications

The Nyquist VoIP Wall Baffle Combo Speaker (or WBC) with Integrated LED Text Display and LED Flasher (NQ-S1810WBC) shall not require traditional intercom wiring or transformer taps to manually set or adjust volume. Connecting one via Cat5 to a PoE Switch or PoE Injector on the Nyquist system's network allows it to be programmed into the intercom system. Volume control of the 10W integrated amplifier shall be managed via the Nyquist Web UI. The WBC's red LED messaging display shall be capable of displaying 12/24-hour time with or without seconds along with day of the week, month, and date. Using Routines, the display brightness can be adjusted to high, medium, low, or off. The WBC displays user-programmable messaging for standard or emergency announcements. Messages can be up to 63 uppercase characters (lowercase characters will display as uppercase) and, if too long to fit on the display, will scroll. If enabled, a clock showing the date, hour, minutes, and seconds will be displayed on the LED panel whenever a message is not being displayed. The independent LED Flasher can be activated by common system features like Emergency All-Calls or zone pages, playing announcements, tones, or enabled via Routines. The flasher color is controlled through the Nyquist Web UI. The WBC contains one SPDT type control relay output rated at 2A @ 30V DC with the following connections: C (Normally Closed); Common; NO (Normally Open); and G (Ground). The WBC uses a wideband Opus codec for audio distribution. Use of the Opus codec, along with G.722, allows the speakers to deliver High-Definition audio. Systems that don't use Opus codecs for audio distribution shall not be considered equal. Nyquist WBC speakers shall be equipped with a MEMS microphone for superior talkback audio when enabled. The WBC speakers shall contain a Reset button for restoring the appliance back to its factory settings.

### LIMITED WARRANTY, EXCLUSION OF CERTAIN DAMAGES

**NQ-S1810WBC** is warranted to be free from defects in materials and workmanship for five (5) years from the date of sale to the original purchaser. Any part of the product covered by this warranty that, with normal installation and use, becomes defective (as confirmed by Bogen upon inspection) during the warranty period will be repaired or replaced by Bogen, at Bogen's option, with new or refurbished product, provided the product is shipped insured and prepaid to: Bogen Factory Service Department: 4570 Shelby Air Drive, Suite 11, Memphis, TN 38118, USA. Repaired or replacement product(s) will be returned to you freight prepaid. This warranty does not extend to any of our products that have been subjected to abuse, misuse, improper storage, neglect, accident, improper installation or have been modified or repaired or altered in any manner whatsoever, or where the serial number or date code has been removed or defaced.

**THE FOREGOING LIMITED WARRANTY IS BOGEN'S SOLE AND EXCLUSIVE WARRANTY AND THE PURCHASER'S SOLE AND EXCLUSIVE REMEDY. BOGEN MAKES NO OTHER WARRANTIES OF ANY KIND, EITHER EXPRESS OR IMPLIED, AND ALL IMPLIED WARRANTIES OF MERCHANTABILITY OR FITNESS FOR A PARTICULAR PURPOSE ARE HEREBY DISCLAIMED AND EXCLUDED TO THE MAXIMUM EXTENT ALLOWABLE BY LAW.** Bogen's liability arising out of the manufacture, sale or supplying of products or their use or disposition, whether based upon warranty, contract, tort or otherwise, shall be limited to the price of the product. **IN NO EVENT SHALL BOGEN BE LIABLE FOR SPECIAL, INCIDENTAL OR CONSEQUENTIAL DAMAGES (INCLUDING, BUT NOT LIMITED TO, LOSS OF PROFITS, LOSS OF DATA OR LOSS OF USE DAMAGES) ARISING OUT OF THE MANUFACTURE, SALE OR SUPPLYING OF PRODUCTS, EVEN IF BOGEN HAS BEEN ADVISED OF THE POSSIBILITY OF SUCH DAMAGES OR LOSSES.** Some States do not allow the exclusion or limitation of incidental or consequential damages, so the above limitation or exclusion may not apply to you. This warranty gives you specific legal rights, and you may also have other rights which vary from State to State.

Products that are out of warranty will also be repaired by Bogen Factory Service Department -- same address as above or call 201-934-8500, at owner's expense. Returned products which do not qualify for warranty service, may be repaired or replaced at Bogen's option with a previously repaired or refurbished item. The parts and labor involved in these repairs are warranted for 90 days when repaired by the Bogen Factory Service Department. All parts and labor charges as well as shipping charges will be at the owner's expense.

All returns require a Return Authorization number. For most efficient warranty or repair service, please include a description of the failure.

03/2024