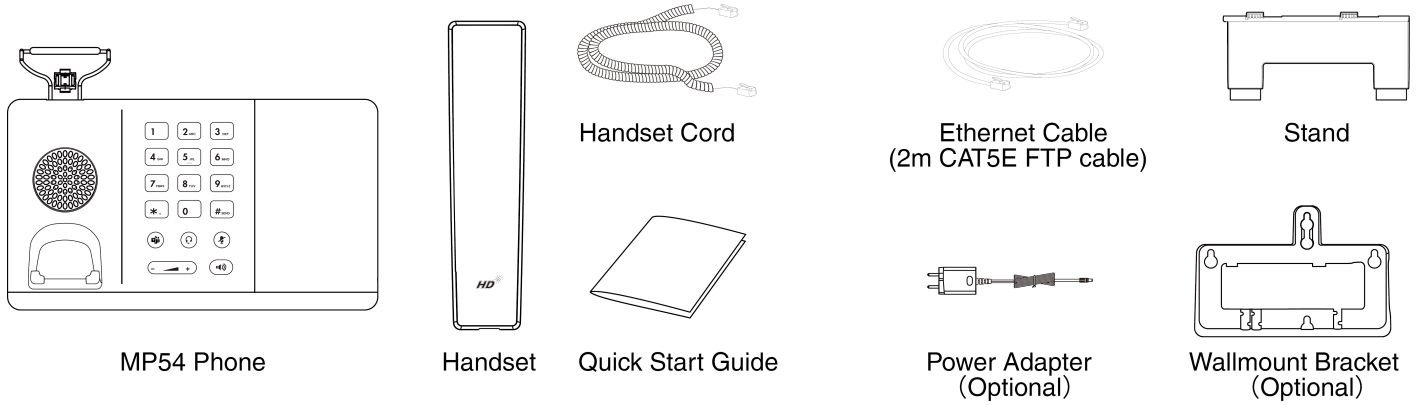


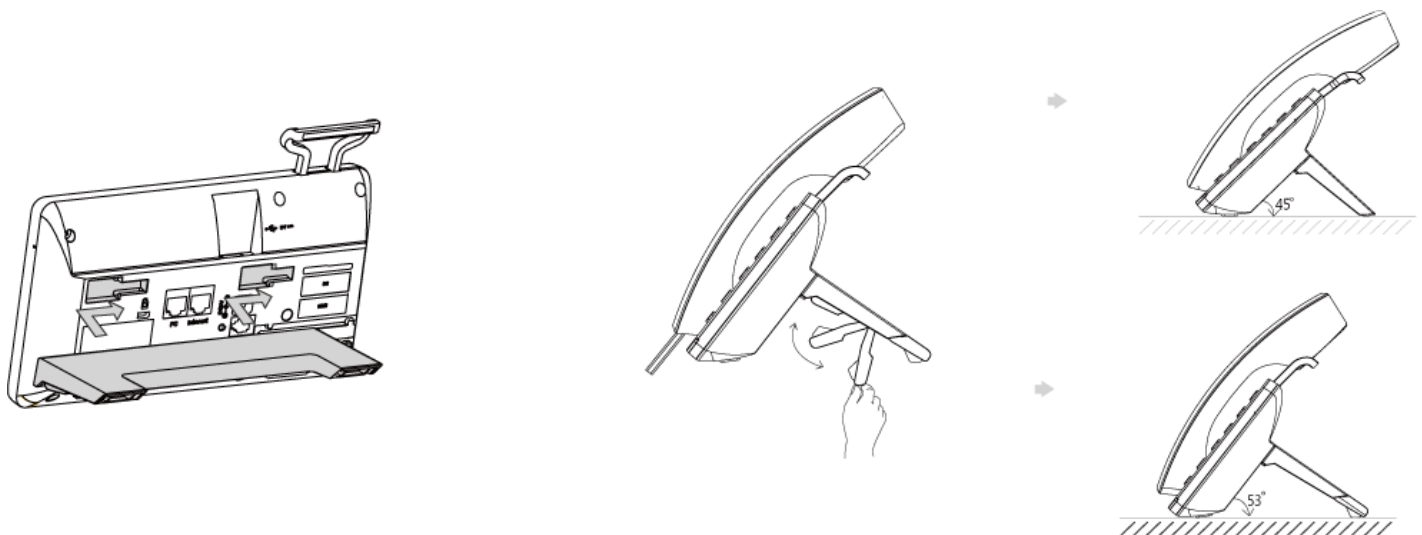
Install and Connect MP54 (E2)

Package Contents



NOTE
 We recommend that you use the accessories provided or approved by Yealink. The unapproved third-party accessories may result in reduced performance.

Assemble MP54 (E2) and Put it on a Table

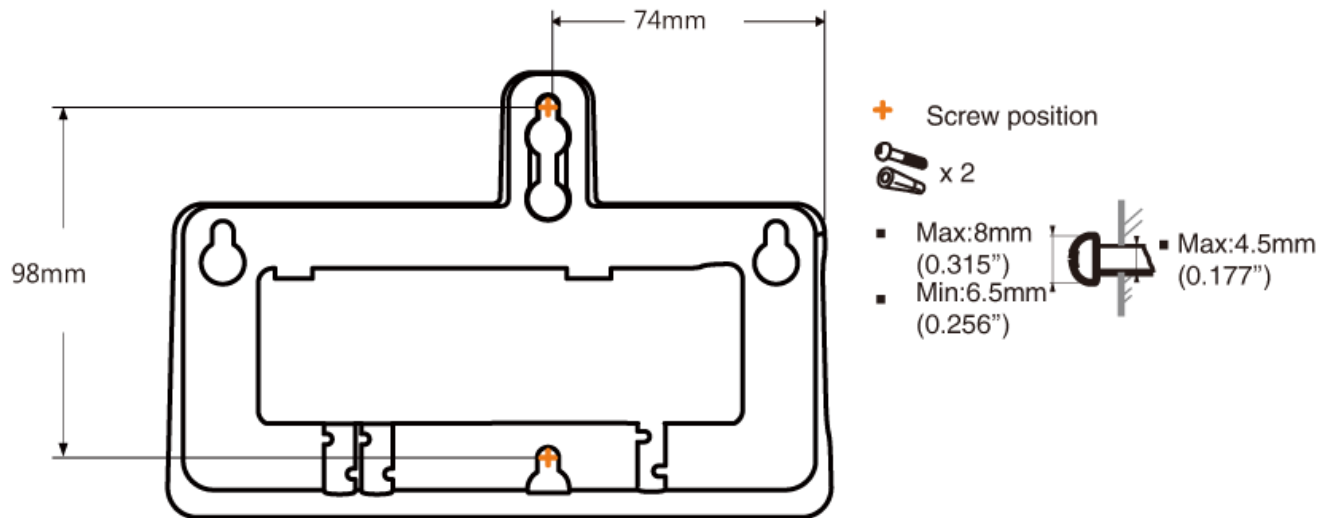


(Optional) Mount MP54 (E2) on the Wall

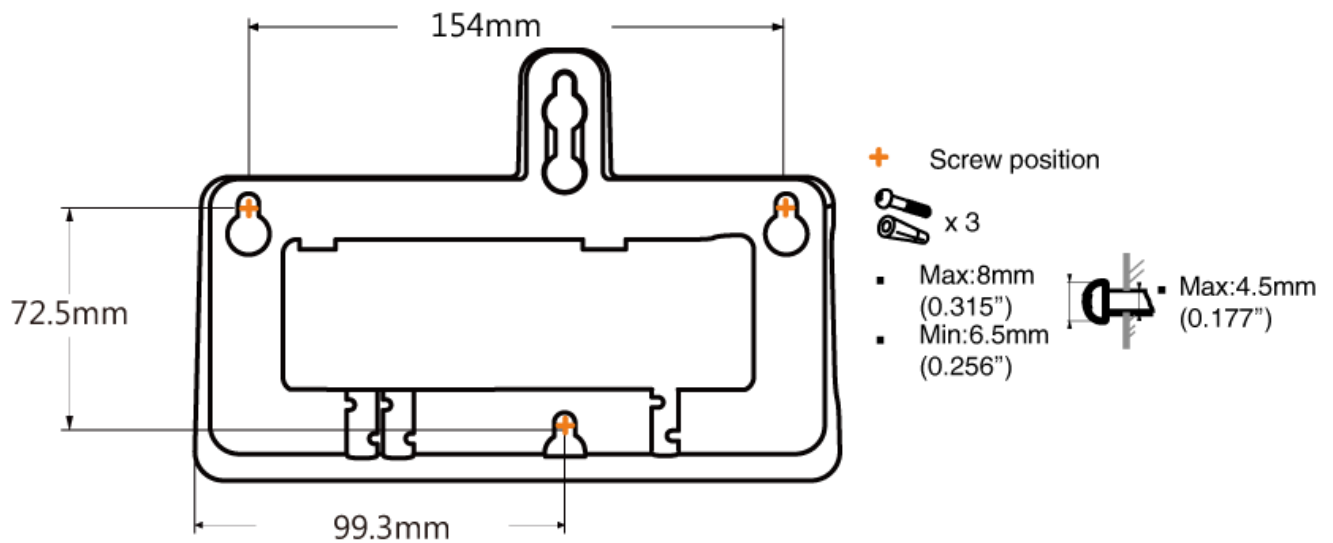
1. Mount the screws

Yealink provides the wall mount drilling templates, which locate and mark the position for mounting the screws (not provided) on the wall, as shown below:

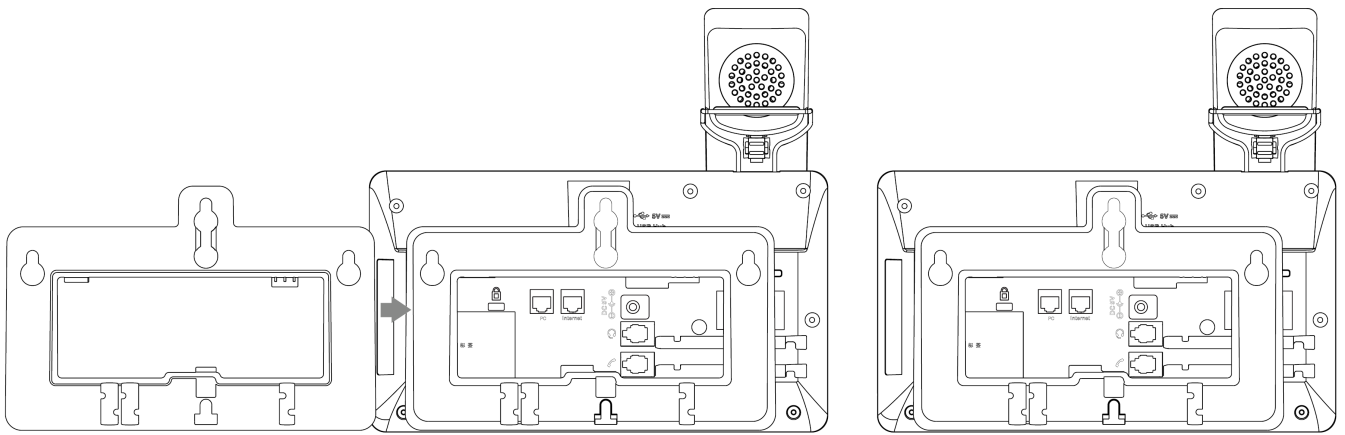
- For American standards:



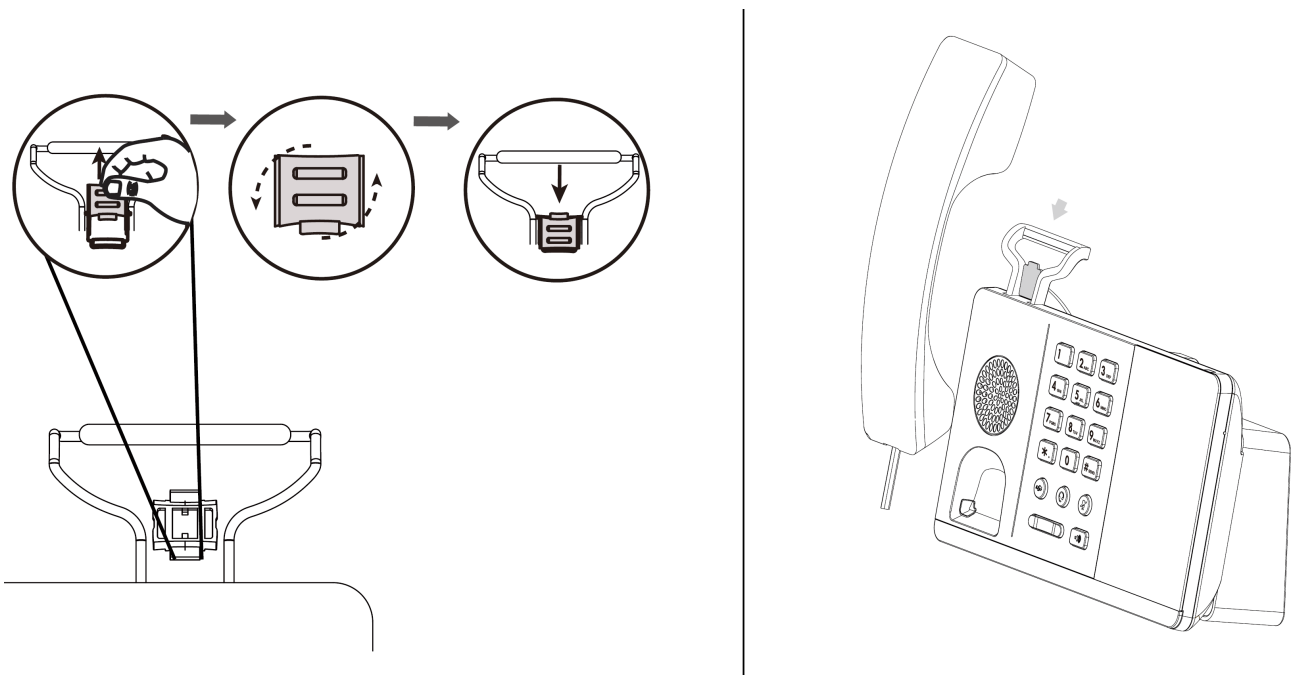
- For others:



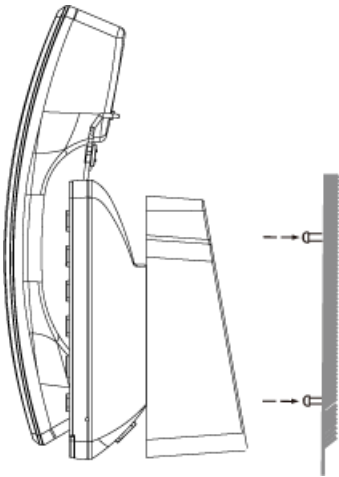
2. Attach the wall mount bracket



3. Adjust the hookswitch tab



4. Mount the IP phone to the wall



Connection

