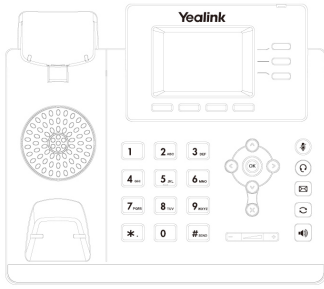


Install and Connect MP52 (E2)

Package Contents

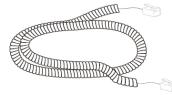
• Standard accessories



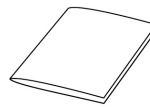
Phone



Handset



Handset Cord



Quick Start Guide

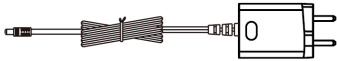


Ethernet Cable
(2m CAT5E FTP cable)



Stand / Wallmount Bracket

• Optional accessories

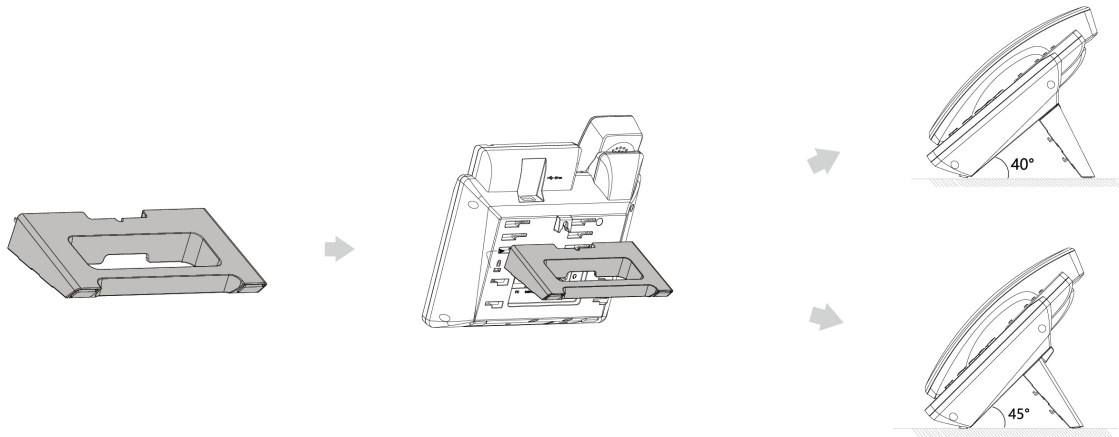


Power Adapter

NOTE

We recommend that you use the accessories provided or approved by Yealink. The unapproved third-party accessories may result in reduced performance.

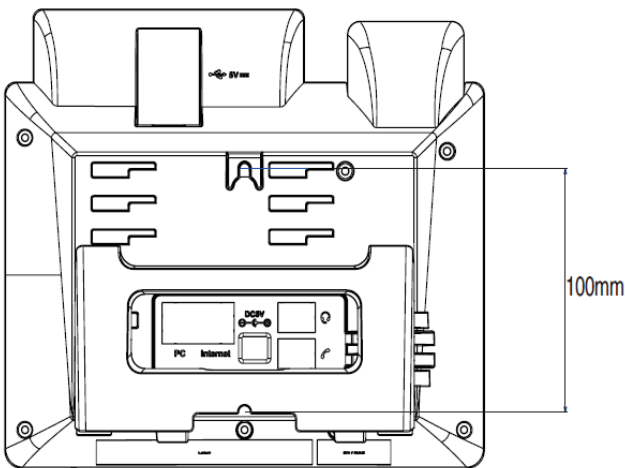
Assemble MP52 and Put it on a Table



(Optional) Mount on the Wall

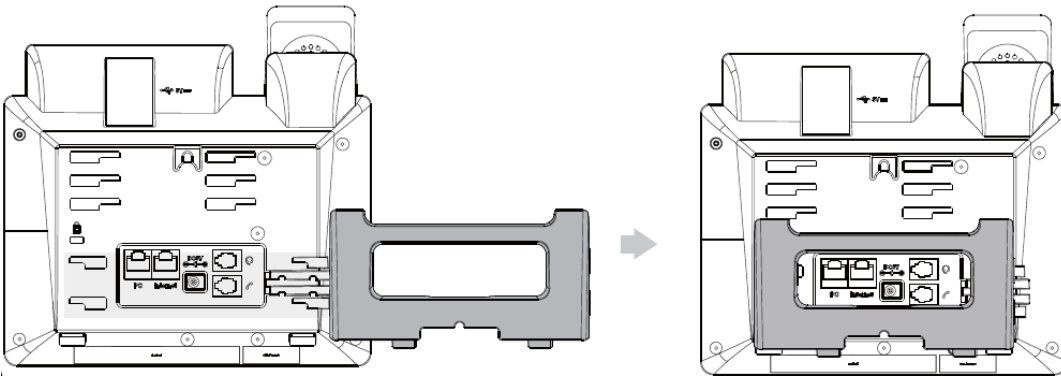
1. Mount the screws.

Yealink provides the wall mount drilling templates, which locate and mark the position for mounting the screws (not provided) on the wall, as shown below:

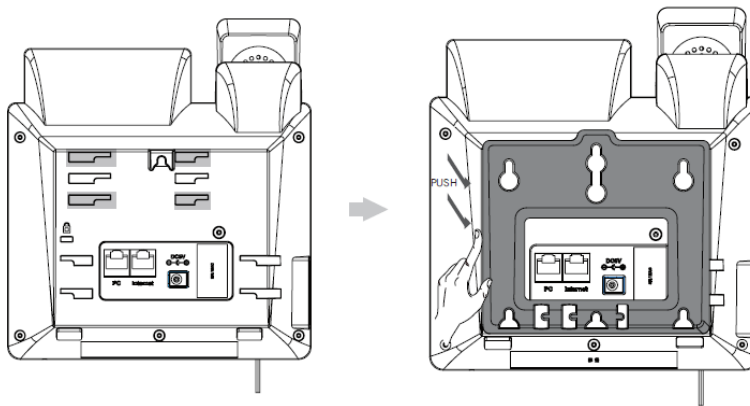


2. Attach the wall mount bracket.

MP52 (Standard):

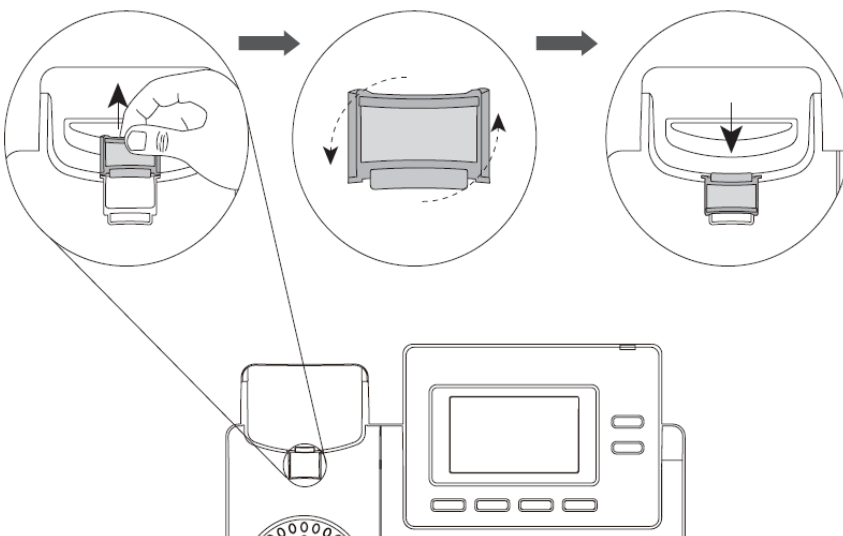


MP52 (Optional):



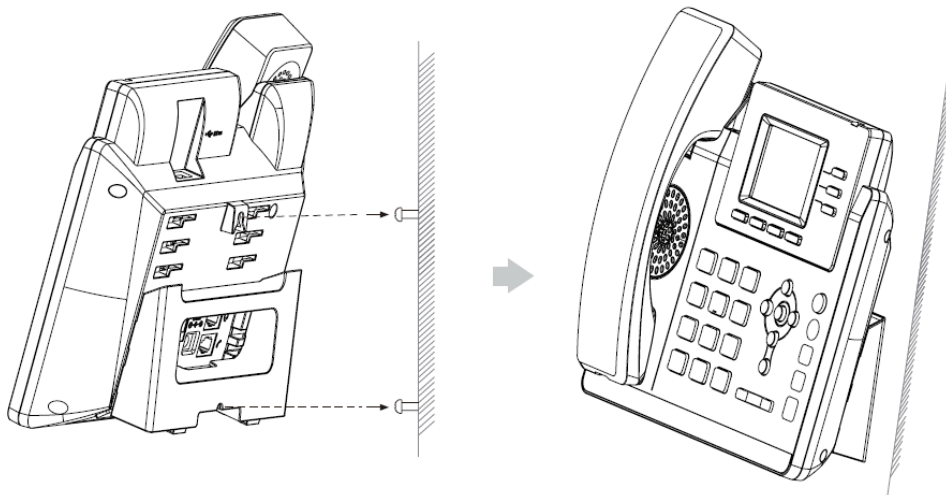
3. Adjust the hookswitch tab.

To prevent damage, secure the handset in the handset cradle.

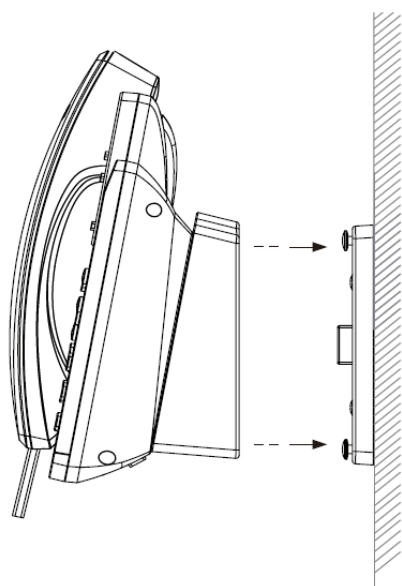


4. Mount the IP phone to the wall.

MP52 (Standard):



MP52 (Optional):



NOTE

The recommended height is less than 2m above the ground.

Connection

