

# SIP Dual Relay Controller

**CyberData**

The IP Endpoint Company

As part of a network-managed IP security infrastructure, the CyberData SIP Dual Relay Controller is a PoE-powered IP device which controls two high amperage relays to manage the unlocking and locking of doors, or activation and deactivation of a device.

The SIP Dual Relay Controller allows network monitoring and control of two relays using the web or DTMF, activating one, both, or in airlock mode. Power for the strikes can be from the internal 12V @ 500 mA supply or from an external power source.

All events are logged with a battery-backed up time stamp, which can be downloaded.

The SIP Dual Relay Controller can also activate its relays with the press of a button. CyberData's Remote Call Button (part number 011508, sold separately) can be wired into the button contacts of the SIP Dual Relay Controller to manage the onboard relays in addition to the SIP DTMF functionality.

Applications include electronic door strikes and other high current machine control as well as fire, security or alarm panels, air quality or temperature sensors, or devices that you would control from a distance.

CyberData's SIP enabled VoIP products are compatible with a vast majority of VoIP systems including SBCs, Gateways, and phone systems both on-premise or cloud-based.

## Features

- Two high amperage relays, activated by DTMF or the web, can activate for a set time (pulse), indefinitely, or as an airlock
- Tamper alert can generate a SIP call to an extension
- Multicast page and/or SIP call on state of the sensor as configured by the user
- Time stamped access log
- Support for security code to prevent unwanted SIP calls
- Supports user-uploadable messages
  
- Dual 12A relays
- NO/NC contacts
- 12V @ 500 mA for direct powered strikes
- Opto-isolated sense inputs
- Device status LED
- Wall mounting
- Cable strain relief
  
- TLS 1.2 and SRTP enhanced security for IP endpoints in a local or cloud-based environment
- Autoprovisioning via HTTP, HTTPS, or TFTP
- HTTPS web based configuration.
- Configurable event generation for device health and status monitoring
- 802.11q VLAN tagging
- Web-based upgradeable firmware
- Support for Cisco SRST resiliency



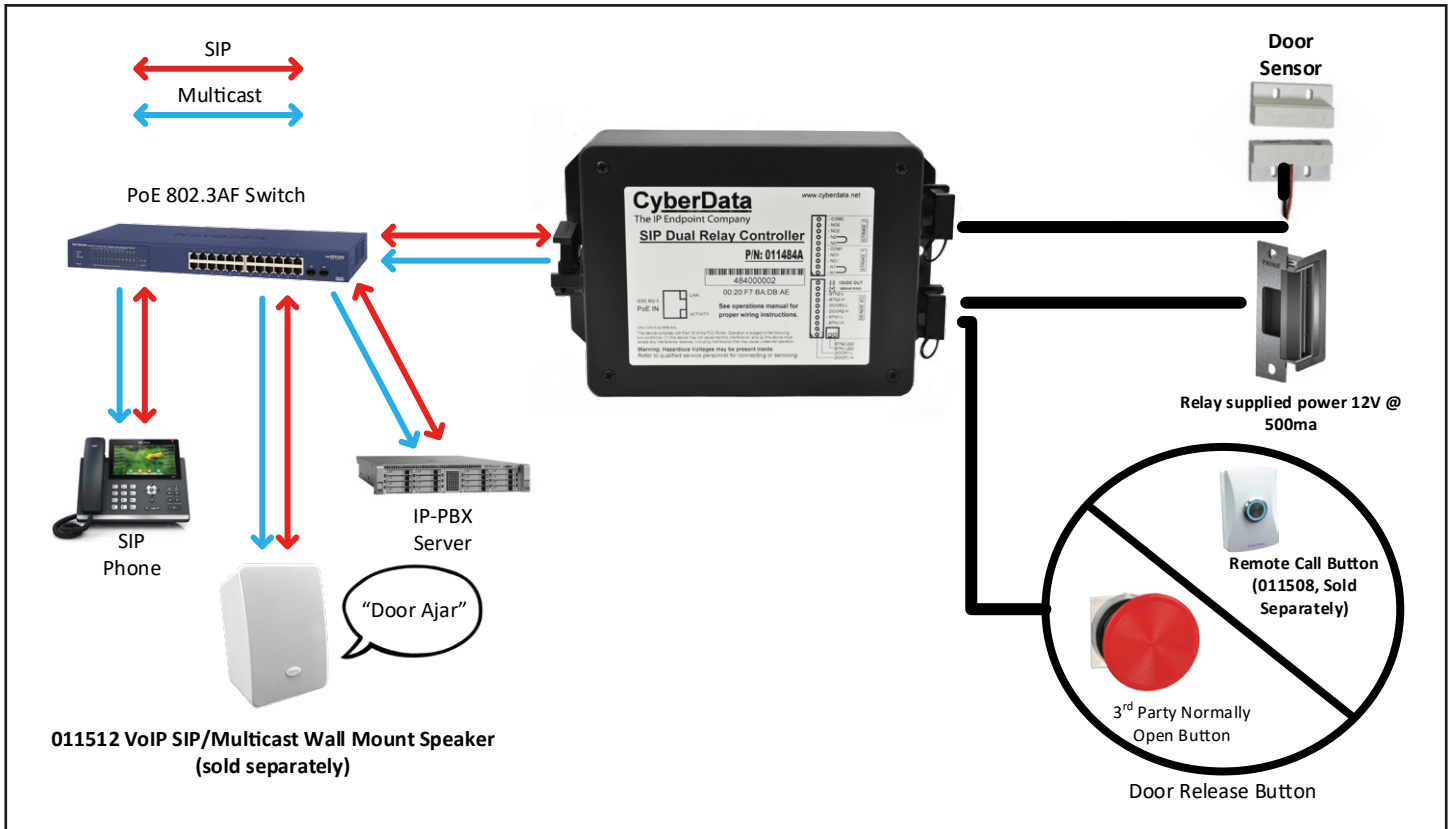
## Specifications

Ethernet I/F	10/100 Mbps
Protocol	SIP RFC 3261 Compatible
Power Input	802.3af PoE
Relay Voltage/Current	12A @ 250 VAC 12A @ 24 VDC
Network Security	TLS 1.2, SRTP, HTTPS
Operating Range	Temperature: -40° C to 55° C (-40° F to 131° F) Humidity: 5-95%, non-condensing
Storage Temperature	Temperature: -40° C to 70° C (-40° F to 158° F)
Storage Altitude	Up to 15,000 ft. (4573 m)
Dimensions*	6.586 inches [167.3 millimeter] Length 4.338 inches [110.3 millimeter] Width 2.600 inches [66 millimeter] Height
Weight	0.5 lbs [.23 kg]
Boxed Weight	1.0 lbs [.45 kg]
Compliance	RoHS Compliant; FCC Part 15 Class; Industry Canada ICES-3 Class A; IEEE 802.3 Compliant; TAA Compliant
Warranty	2 Years Limited
Part Number	011484

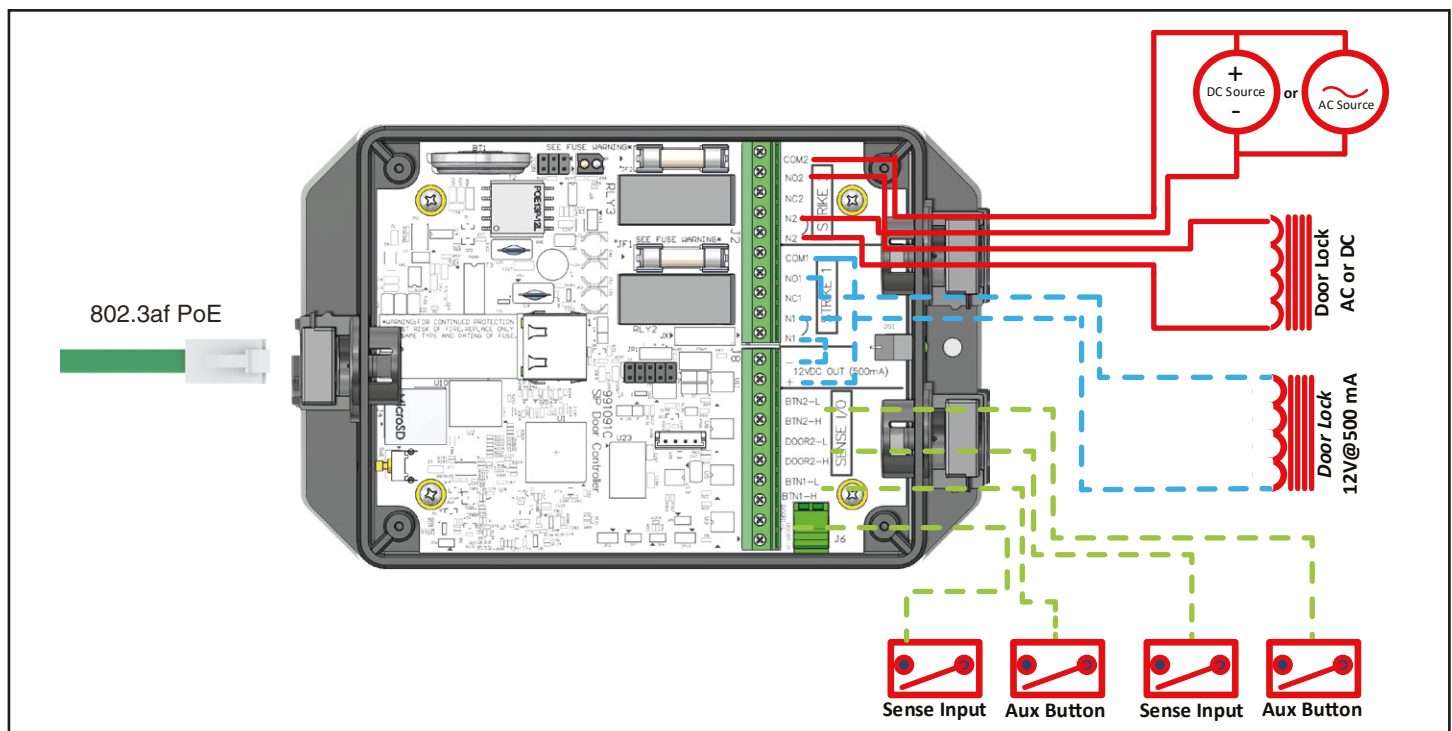
\*Dimensions are measured from the perspective of the product being upright with the front of the product facing you.

# SIP Dual Relay Controller

## Single Door Typical Use Case

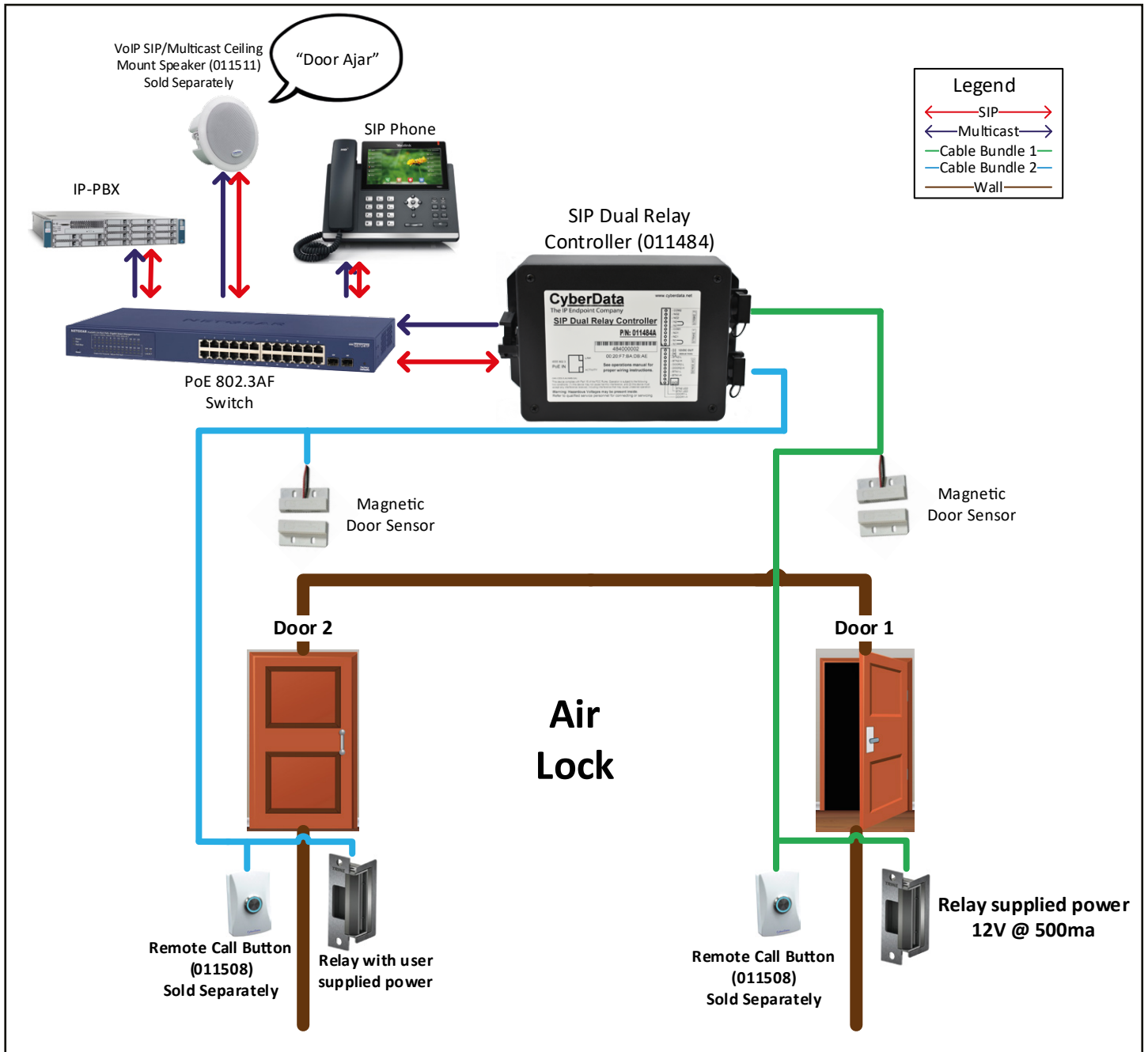


## Wiring



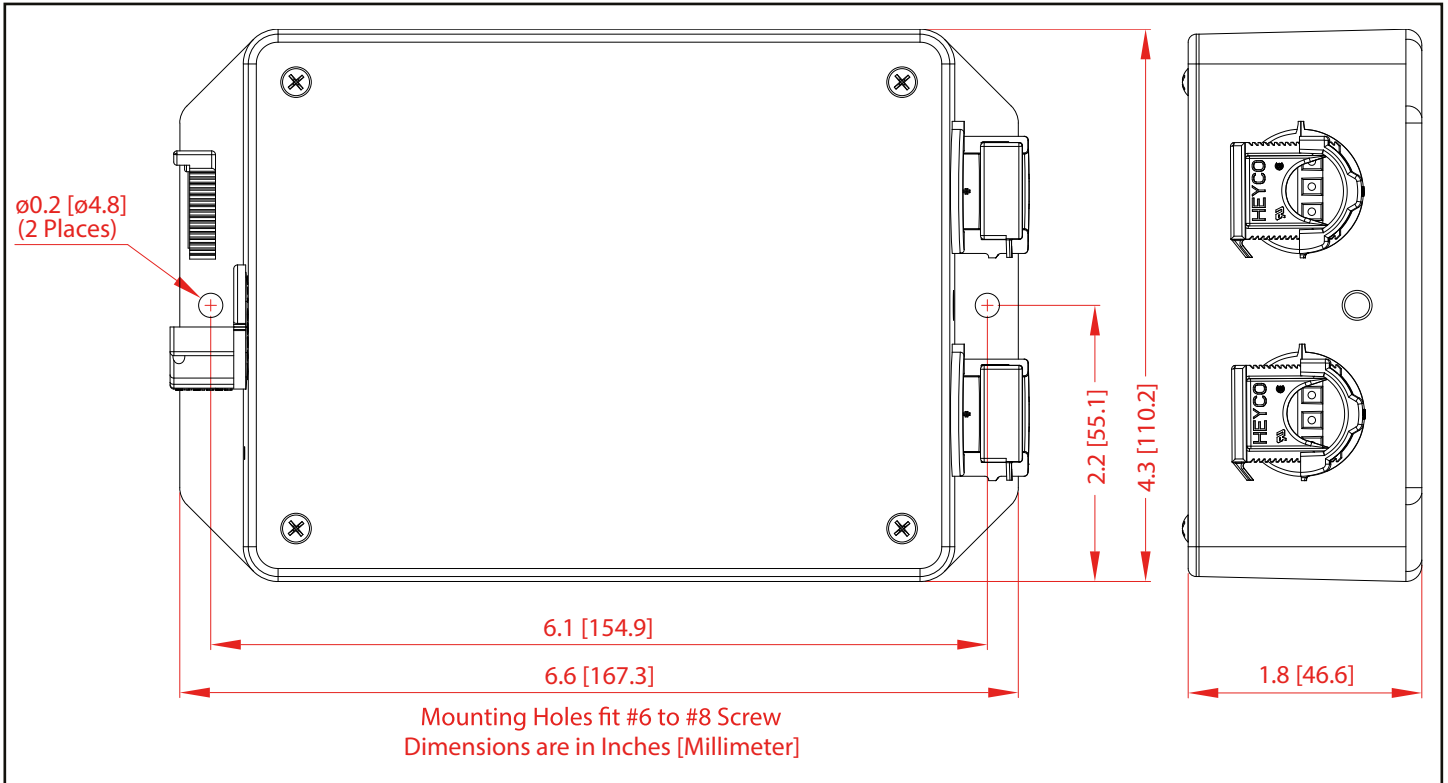
# SIP Dual Relay Controller

## Typical Air Lock Use Case



# SIP Dual Relay Controller

## Dimensions



### Related Products:



011233 SIP Paging Adapter



011457 SIP IP66 Outdoor Horn



011458 Multicast Ceiling Speaker



011508 Remote Call Button



011376 SIP RGB (Multi-Color) Strobe