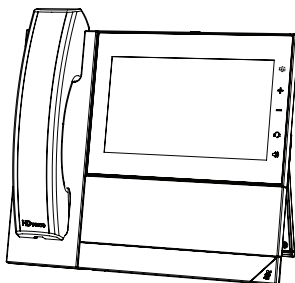
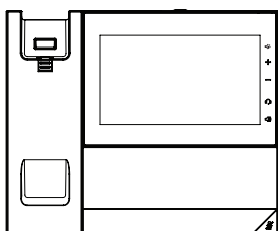


Poly CCX 600 Business Media Phone



Package Contents

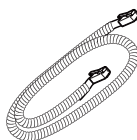
With Handset Cradle



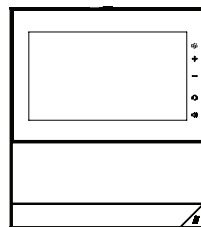
Handset



Handset Cord



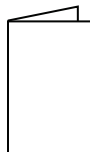
Without Handset Cradle



Network Cable



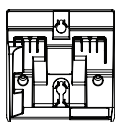
Setup Sheet



Optional Accessories



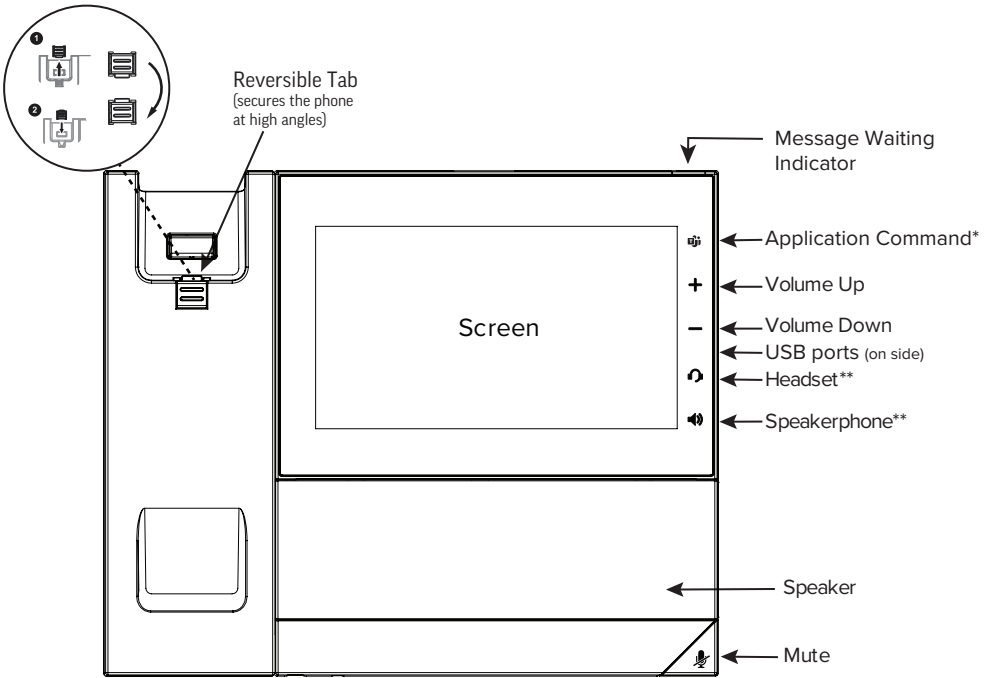
AC power adapter
(varies by region)



Wallmount

For more information on optional accessories, contact your reseller.

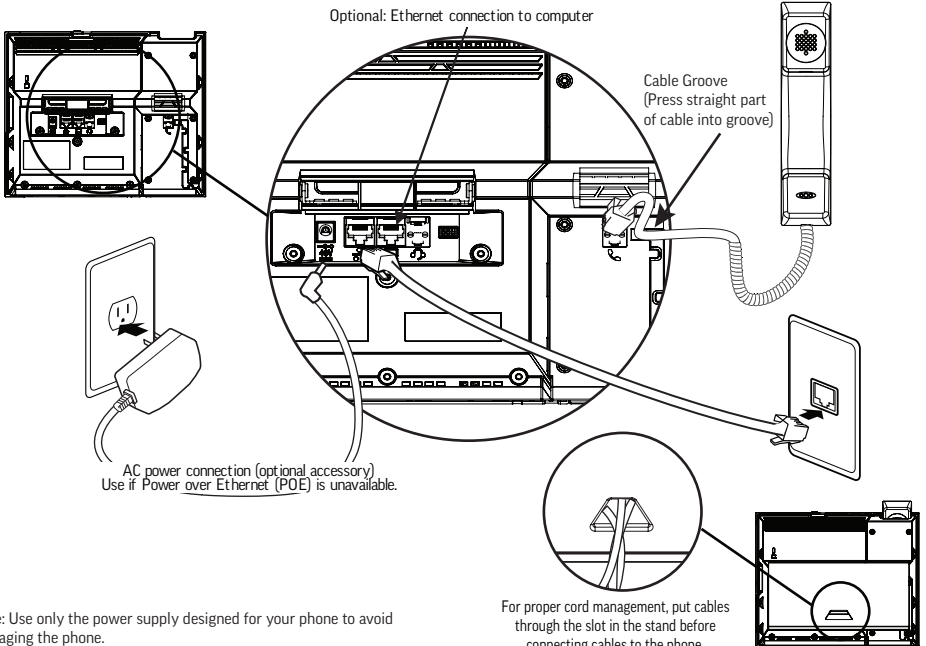
Features



*Icon displays only when the phone is powered on and the service is available. Icon may vary.

** Icon displays when the phone is powered on.

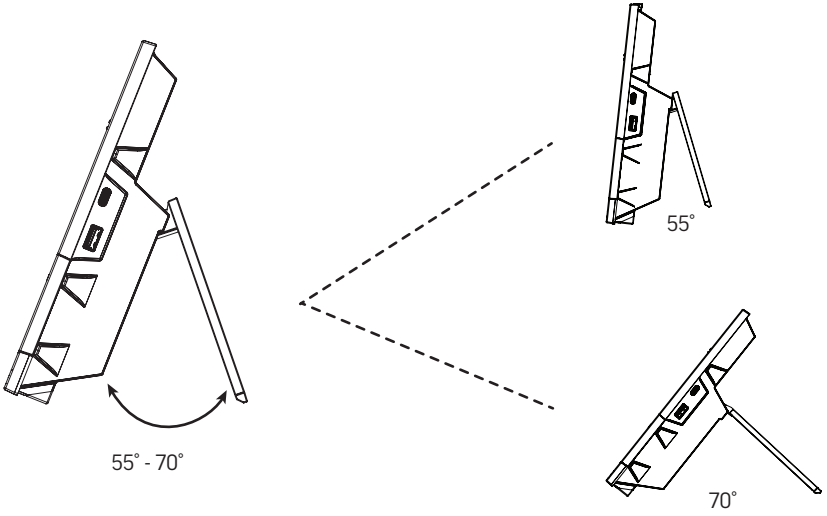
Connect Cables



Note: Use only the power supply designed for your phone to avoid damaging the phone.

For proper cord management, put cables through the slot in the stand before connecting cables to the phone.

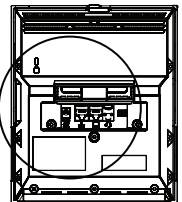
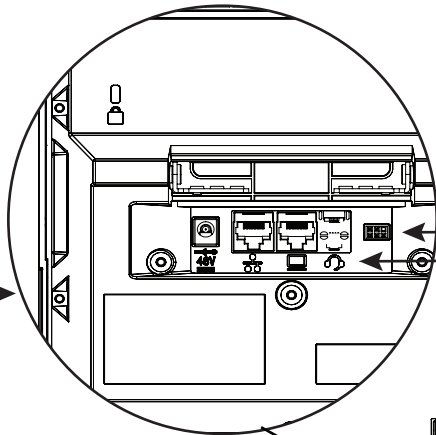
Adjust the Desktop Stand



Connect Optional Headset



USB port (on side)



Your phone supports USB and wired headsets, including Electronic Hook Switch (EHS) headsets.

For connection directions, refer to your headset documentation. Standard headsets use the RJ-9 or USB port while EHS headsets typically use the RJ-9 and EHS ports.



BY USING THIS PRODUCT, YOU ARE AGREEING TO THE TERMS OF THE END USER LICENSE AGREEMENT (EULA) AT:
<http://documents.polycom.com/indexes/licenses>. IF YOU DO NOT AGREE TO THE TERMS OF THE EULA, DO NOT USE THE PRODUCT, AND YOU MAY RETURN IT IN THE ORIGINAL PACKAGING TO THE SELLER FROM WHOM YOU PURCHASED THE PRODUCT.

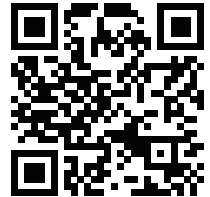
Refer to the Limited Warranty section of the Product Warranty Guide found under Services at <http://support.polycom.com/>

Hereby, Poly declares that the radio equipment type CCX 600 is in compliance with Directive 2014/53/EU. The full text of the EU declaration of conformity is available at www.poly.com/conformity.

Frequency Range	Maximum Transmit Power
2402MHz–2480MHz	13.6 dBm
5180MHz–5210MHz	13.41 dBm
5290MHz–5320MHz	12.67 dBm
5500MHz–5700MHz	12.74 dBm

UKCA

UK representative: Plantronics Ltd, Building 4, Foundation Park, Cannon Lane, Part 1st Floor, Maidenhead, SL6 3UD



support.polycom.com/voice

© 2021 Plantronics, Inc. All rights reserved. Poly, the propeller design, and the Poly logo are trademarks of Plantronics, Inc. All other trademarks are the property of their respective owners.

Contact Information:

Contact your Authorized Reseller for Assistance.
www.poly.com

Plantronics, Inc. 345 Encinal Street Santa Cruz, California 95060

1725-49775-001D

