

Parts List

- (1) Auxiliary RGB Strobe Kit
- (1) 3.28 feet [1 meter] cable

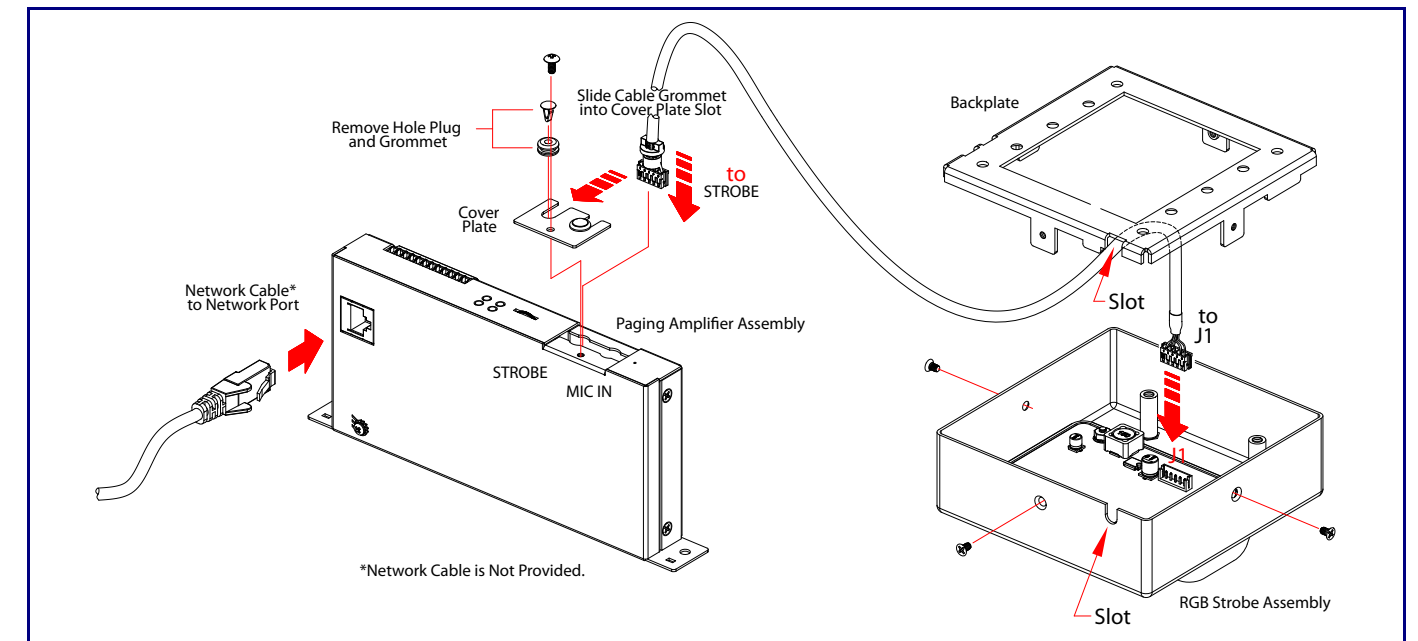
Features

- Meets ADA requirements for telephony signaling and notification
- Activates from a CyberData IP endpoint
- Mailbox Message Waiting Indication
- Multicast activation

Getting Started

- Download the *Operations Guide* PDF file, from the **Downloads** tab at: <http://www.cyberdata.net/voip/011288/>

Paging Amplifier Connections



Contacting CyberData

Corporate Headquarters

CyberData Corporation
3 Justin Court
Monterey, CA 93940, USA

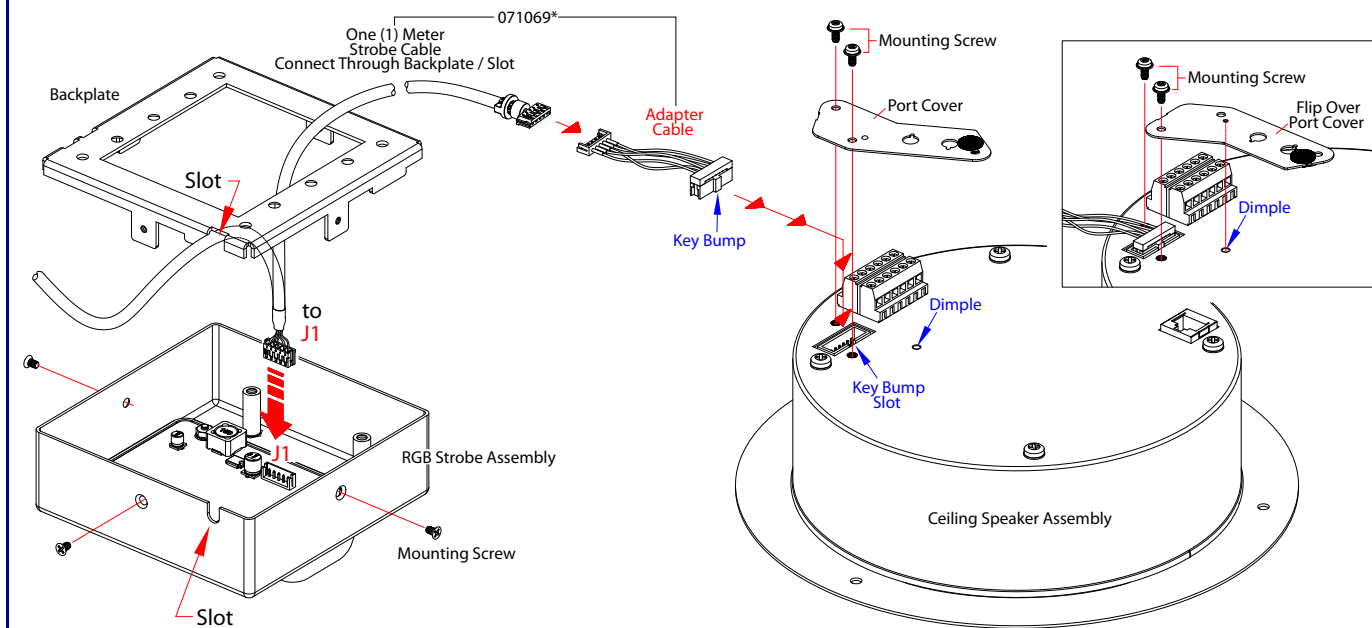
Phone: 831-373-2601
Fax: 831-373-4193
<http://www.cyberdata.net/>

Sales: (831) 373-2601 ext. 334
Support: 831-373-2601 ext. 333
Support Website: <http://support.cyberdata.net/>
RMA Department: (831) 373-2601 ext. 136
RMA Email: RMA@CyberData.net
RMA Status: <http://support.cyberdata.net/>
Warranty Information: <http://support.cyberdata.net/>

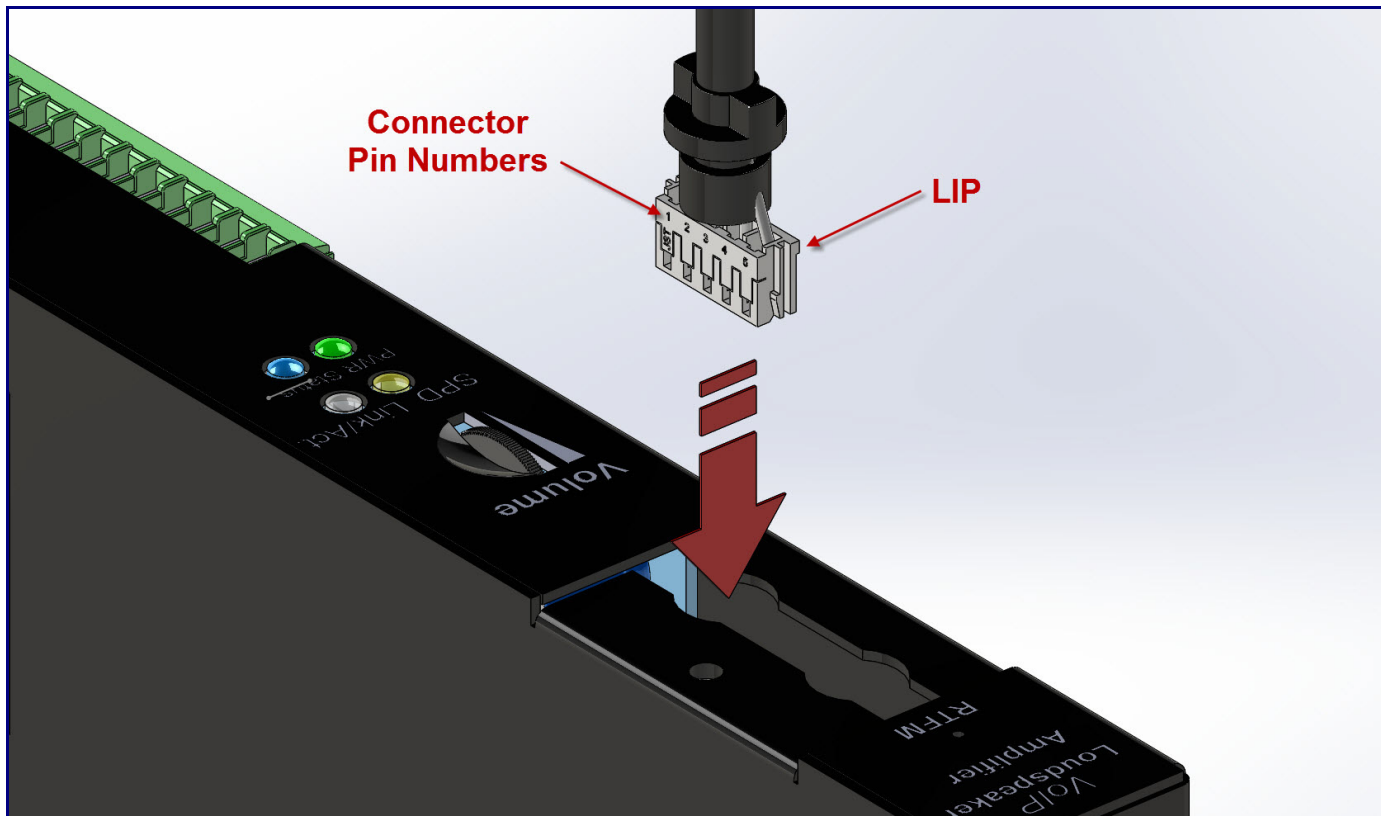
Speaker Connections

Auxiliary Strobe Cable to SIP Speaker Installation:

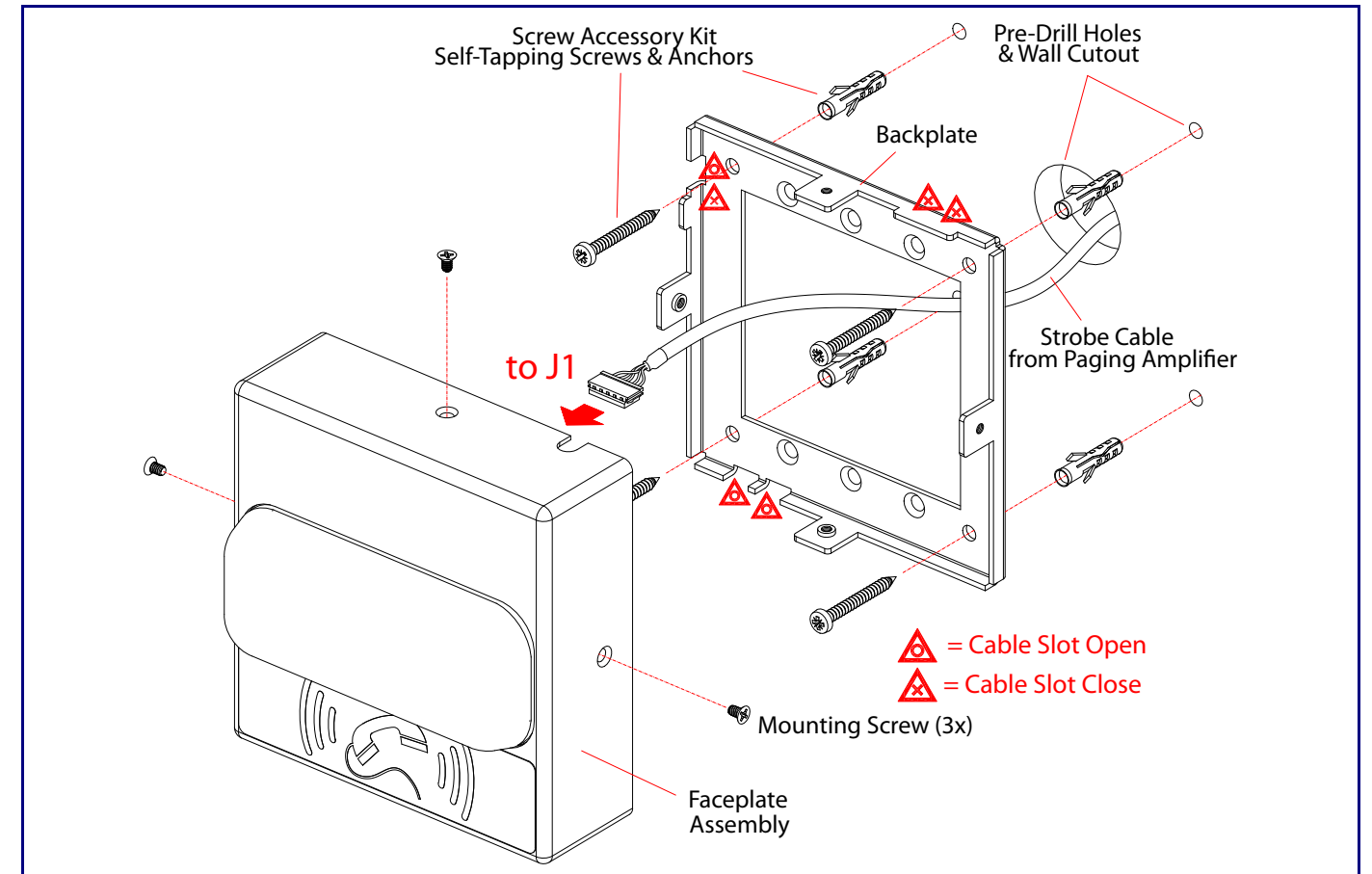
1. Connect the one meter strobe cable to the adapter cable.
2. Remove the mounting screws and port cover from the SIP Speaker.
3. Align the key bump on the adapter cable to the key bump slot on the SIP Speaker.
4. Replace the port cover and mounting screw as shown.



Strobe Cable Connection



Mounting Option



Mounting Option

