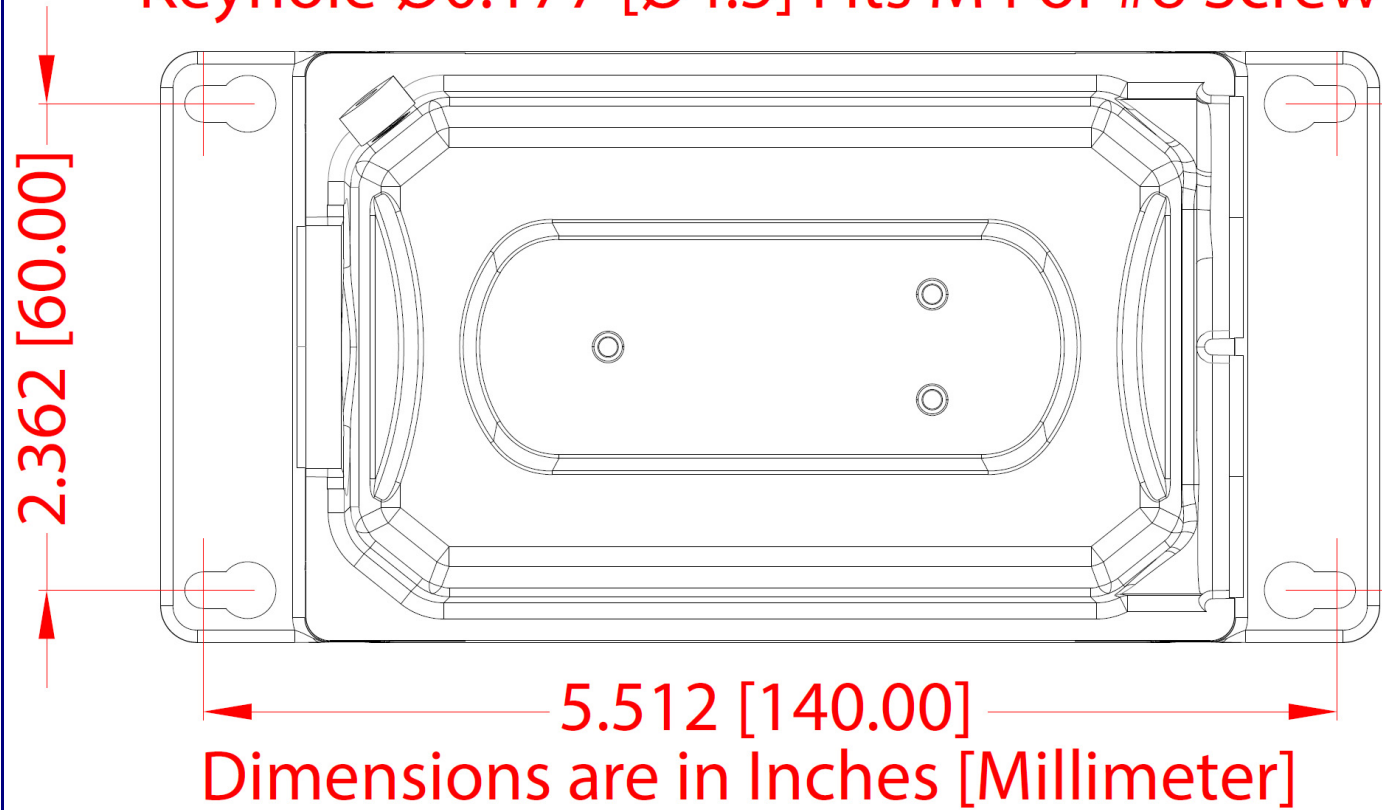
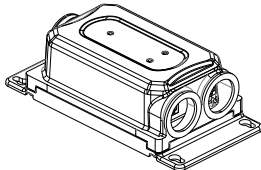
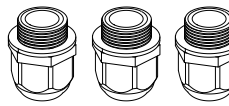
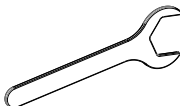





## Drill Bit Size for Plastic Ribbed Anchors: 7/32"

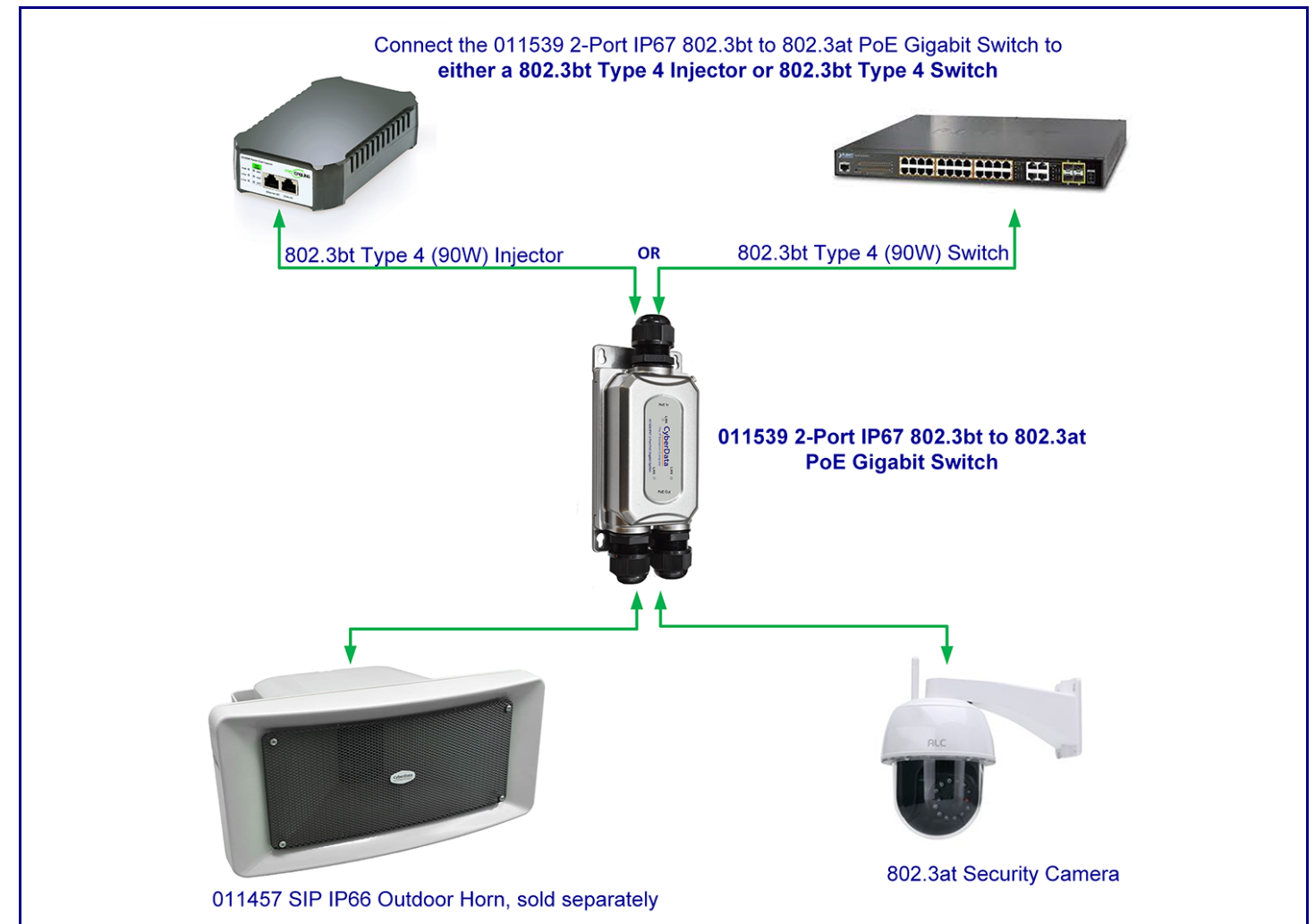
### Keyhole Ø0.177 [Ø4.5] Fits M4 or #8 Screw



Parts

(1) 2-Port IP67 802.3bt to 802.3at PoE Gigabit Switch Assembly 	(3) Cable Glands 	(1) Wrench 	(1) Ground wire 	<b>Screw Accessory Kit</b> (4) Anchors  (4) Screws 
---	---	---	--	---

Typical Installation



Contacting CyberData

Corporate Headquarters

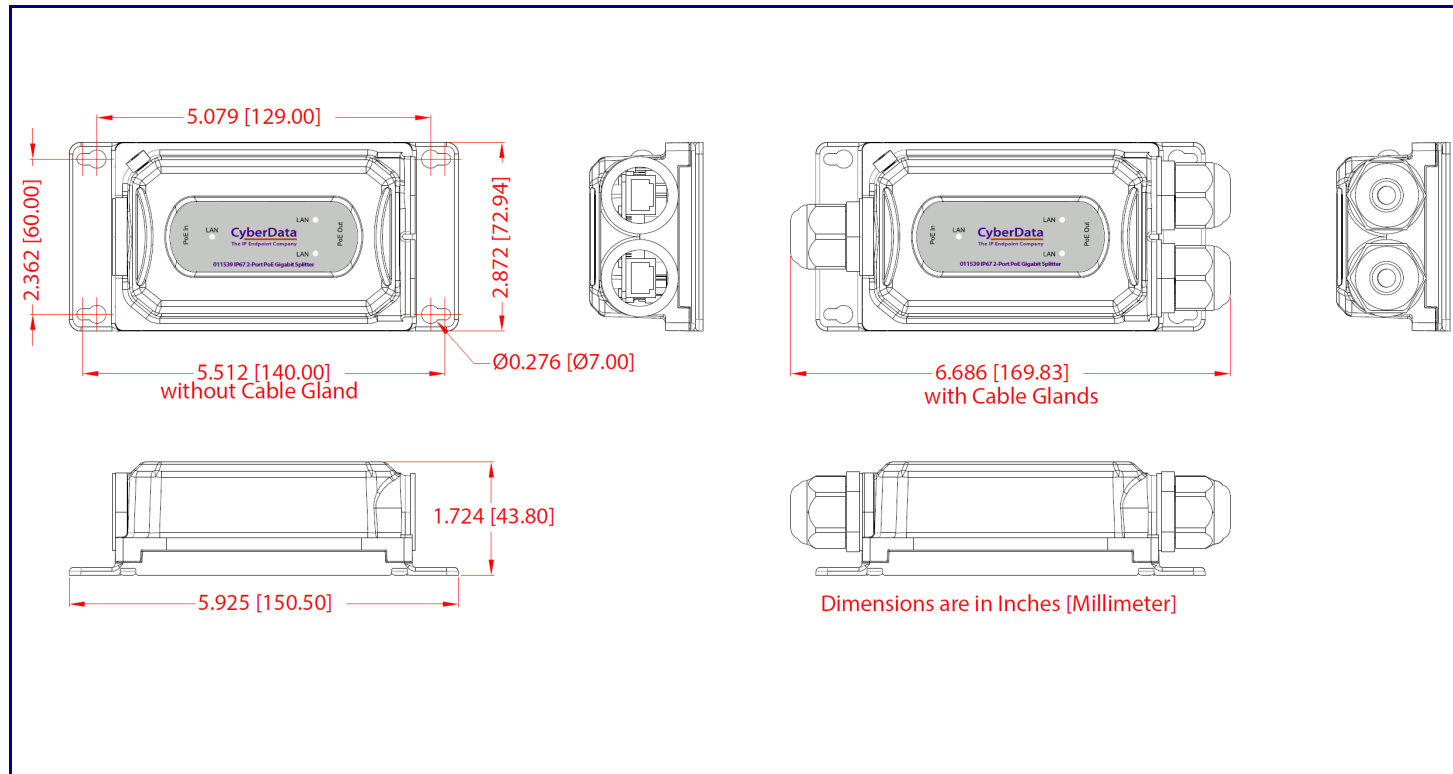
CyberData Corporation  
3 Justin Court  
Monterey, CA 93940, USA

Phone: 831-373-2601  
Fax: 831-373-4193

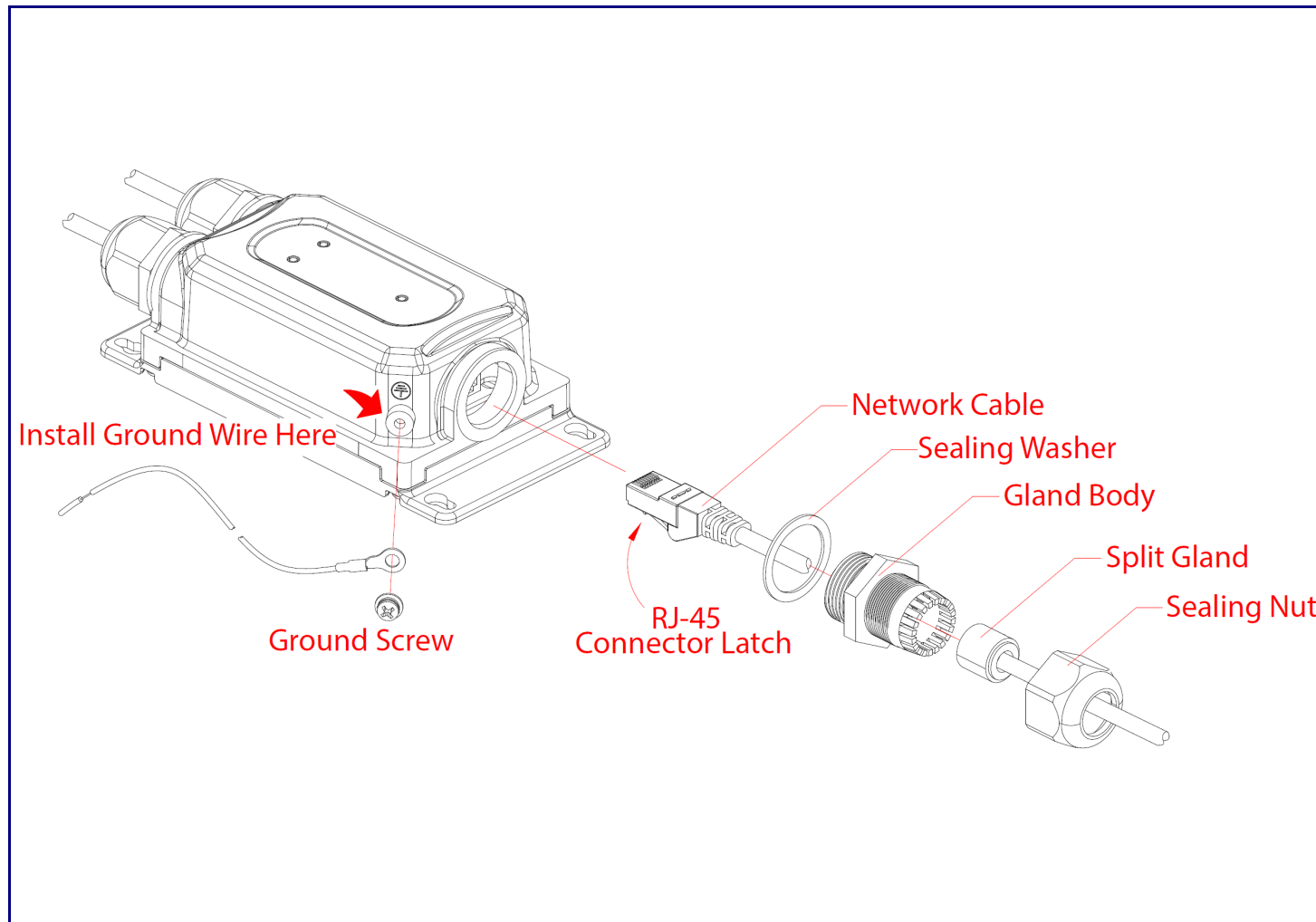
<http://www.cyberdata.net/>

Sales: 831-373-2601 ext. 334  
Support: 831-373-2601 ext. 333  
Support Website: <http://support.cyberdata.net/>  
RMA Department: 831-373-2601 ext. 136  
RMA Email: [RMA@CyberData.net](mailto:RMA@CyberData.net)  
RMA Status: <http://support.cyberdata.net/>  
Warranty Information: <http://support.cyberdata.net/>

## Dimensions



## IP67 Cable Gland Detail



## Powering on the IP67

The switch is powered by an 802.3bt or 802.3at network switch or Injector. Below is a chart that describe the input and output details.

### Power Chart

Input	Corresponding Output
802.3bt Type 4 (90W)	each 802.3at output port supports up to 29.5W
802.3bt Type 3 (60W)	802.3at output port 1 supports 29.5W and 802.3at output port 2 supports 25W
802.3at (25.5W)	each 802.3at output port supports 10W

## LED Function

LED	Color	Function
LAN	Green	Off: No device is connected to the corresponding port Light: Indicates the link through that port is successfully established.