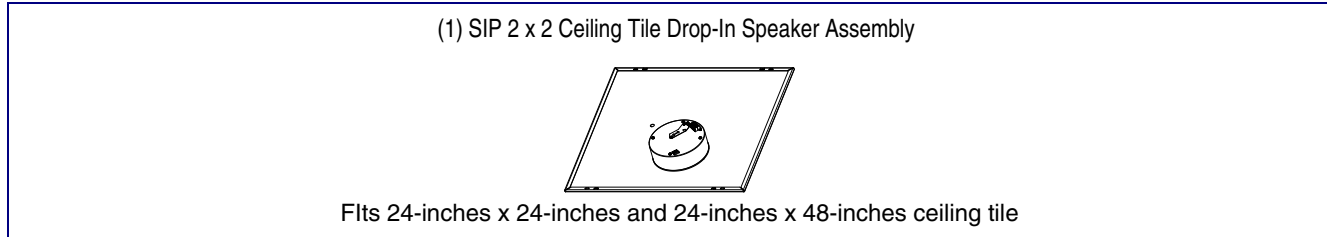
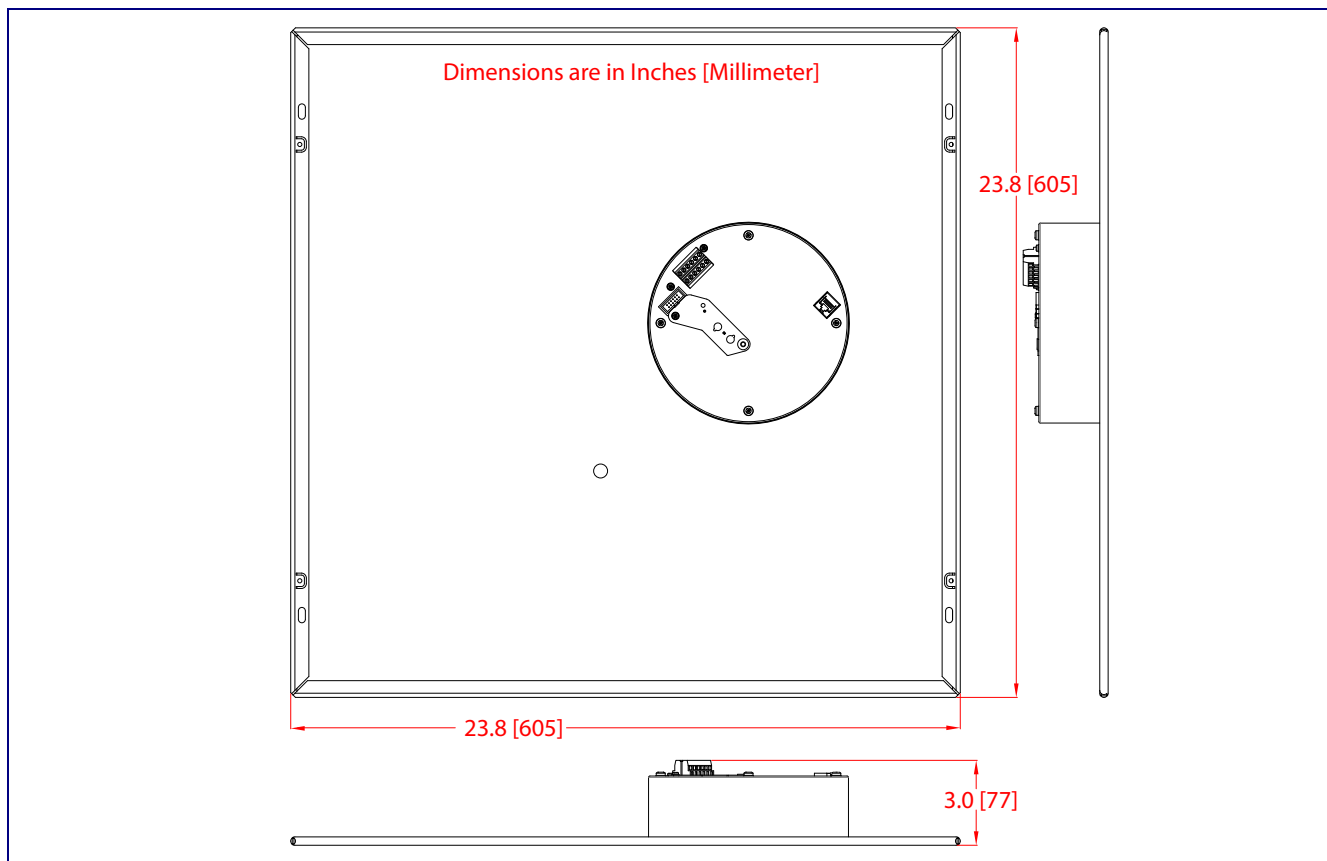


SIP 2 x 2 Ceiling Tile Drop-In Speaker 011520

Parts



Dimensions



Contacting CyberData

Corporate Headquarters

CyberData Corporation
3 Justin Court
Monterey, CA 93940, USA

Phone: 831-373-2601
Fax: 831-373-4193
<http://www.cyberdata.net/>

Sales: (831) 373-2601 ext. 334
Support: 831-373-2601 ext. 333
Support Website: <http://support.cyberdata.net/>
RMA Department: (831) 373-2601 ext. 136
RMA Email: RMA@CyberData.net
RMA Status: <http://support.cyberdata.net/>
Warranty Information: <http://support.cyberdata.net/>

Installation Procedure

To install the SIP 2 x 2 Ceiling Tile Drop-In Speaker, complete the following steps while referencing the figure below:

1. Remove the Ceiling Tile (Below Figure Showing a 2 x 2 Grid) from the Ceiling Grid. Cut the 2 x 4 Ceiling Tile in Half if using a 2 x 4 Grid.
2. Place the Cross T* in the Middle for Support (Only on a 2 x 4 Grid).
3. Use a Flat Blade Screwdriver to Pry the Seismic Tether Bracket(s) on the 2 x 2 Ceiling Tile Speaker Assembly.
4. Install Eyebolt(s) or Nail(s) to the Joist.
5. Connect the Network Cable to the Network Port and Wire(s) to the Terminal Block, etc. to the 2 x 2 Ceiling Tile Speaker Assembly.
6. Use Steel Wire(s) to Connect Seismic Tether Bracket(s) to the Eyebolt(s) or Nail(s). Place the 2 x 2 Ceiling Tile Speaker Assembly on to the Ceiling Grid and the Cross T* (see [Step 2](#)).

Installing the SIP 2 x 2 Ceiling Tile Drop-In Speaker

