

i51W&i52W&i53W

Indoor Station Quick Installation Guide



i51W



i53W

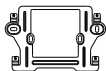
① Package Contents



Indoor Station



Quick Installation Guide



Wall-mount Bracket



10 pin Cable*1



4 pin Cable*1



2 pin Cable*1



TA4*30mm Screw*2



PM4*16mm Screw*2



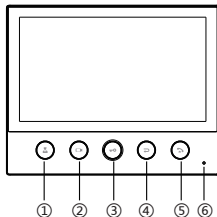
Screw fixing seat*2

② Physical specification

Model	LCD	PoE	Wi-Fi (2.4G)	RS-485	Dimension
i51W	4.3"	√	√	√	163x104x26mm
i52W	7"	√	√	√	176x140x26mm
i53W	7" Touch Screen	√	√	√	176x140x26.5mm

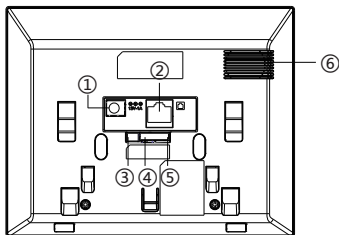
③ Product appearance description





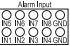
1) Front Panel



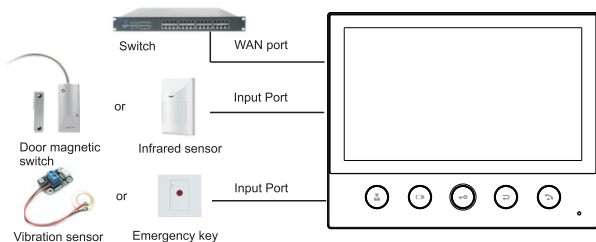
No.	Description	No.	Description
1	Management Center Key	4	Return / Hang up key
2	Monitor key	5	Answer key
3	Unlock Key	6	Microphone

2) Rear Panel

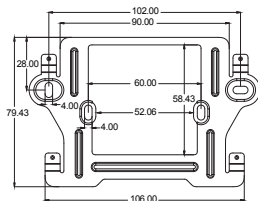


No.	Description	Interface
1	DC Power interface: 12V/1A input.	
2	Ethernet interface: standard RJ45 interface, 10/100M adaptive, it is recommended to use CAT5 or CAT5E network cable.	
3	Industrial power interface.	
4	1 set of RS485 interface: can be connected to card reader, sensor etc.	
5	8 sets of alarm input interfaces: input devices for connecting switches, infrared sensor, door sensor, vibration sensors etc.	
6	Speaker	

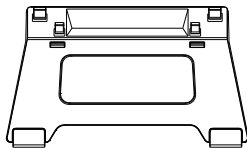
3) External device connection diagram



4 Installation Diagram (two models)



Wall bracket



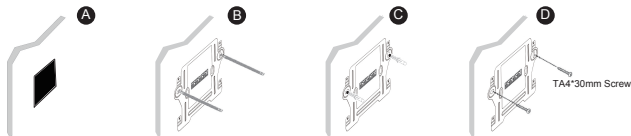
Desktop bracket (Buy independently)

Model 1. Wall-mounted Installation

Step 1. Install wall bracket

Without 86 embedded box in the wall

- According to the position of the cable in the wall, dig out a square hole (height*width*depth=58.5*60*50mm) that can accommodate all cables.
- Align the square hole of the wall bracket with the hole digged out before, then mark the two fixation holes through bracket on the wall.
- Take down the bracket, using an electric drill to make the two fixation holes on the wall, then insert the two screw fixing seats provided.
- Fix the wall bracket on the wall with two TA4*30 screws.



With 86 embedded box in the wall

A. Make sure all cables in the embedded box .

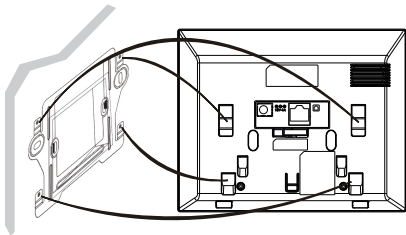
B. Fix the wall bracket on the 86 embedded box with two PM4*16mm screws.



Step 2. Connect peripherals

A. If you need to connect other input and output devices, please connect to the host through the cable.

Step 3. Power on the device. If it is working properly, align the slot on the rear side of the panel with the pin on the wall bracket and slide the host down to complete the installation.



Model 2.Desktop Installation

Align the slot on the rear side of the panel with the pin on the desktop bracket and slide the bracket up to complete the installation.

5 Searching IP address

There are two methods as shown below to search the device. The default WAN mode is DHCP.

Method 1:

Open the iDoorPhone Network Scanner, click the Refresh button to search the device and find the IP address.

(Download address <http://download.fanvil.com/tool/iDoorPhoneNetworkScanner.exe>)

#	IP Address	Serial Number	MAC Address	SN Version	Description
1	172.18.70.55	i51W	00:08:34:00:aa:74	T0.1.1	i51W

Method 2:

i51W&i52W:

After booting, long press the unlock key to enter the menu, click "System Message" --- "Network".

i53W :

After booting, "Menu"--- "Status".

⑥ IP Indoor Station Setting

Step 1: Log in the web setting page of Indoor Station

Input IP address of indoor station (e.g. <http://172.18.70.55>) into the address bar of PC's web browser.

The default user name and password are both admin.

User:

Password:

Language: English ▾

Step 2: Add the SIP account.

Set SIP server address, port, user name, password and SIP user with assigned SIP account parameters.

Select "Activate", and then click Apply to save this setting.

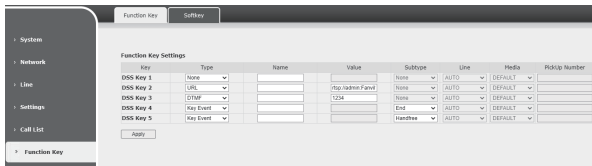
The screenshot shows the 'SIP' configuration page with the 'Basic Settings' tab selected. The 'Line' dropdown is set to 'E345@SIP'. The 'Register Settings' section includes fields for Username (E345), Display name (E345), and Realm. The 'SIP Server 1' section includes Server Address (172.18.1.88), Server Port (5060), Transport Protocol (UDP), and Registration Expiration (3600 seconds). The 'SIP Server 2' section includes Server Address, Server Port (5960), Transport Protocol (UDP), and Registration Expiration (3600 seconds). The 'Proxy Server Address' and 'Backup Proxy Server Address' sections include fields for Proxy Server Address, Proxy Server Port (5060), Proxy User, and Proxy Password. A 'NOTE' box on the right states: 'Description: It shows phone registration account basic settings and sip account function advanced settings.'

Step 3: Feature Setting

The screenshot shows the 'Features' configuration page with the 'Basic Settings' tab selected. The 'Basic Settings' section includes: 'Enable Auto on Hook' (checked), 'Enable Silent Mode' (unchecked), 'Auto HangUp Delay' (1 second), 'Disable Mute for King' (unchecked), 'Enable Default Line' (unchecked), 'Default Ext Line' (E345@SIP), 'Default Ans Mode' (Video), 'Ban Outgoing' (unchecked), 'Default Dial Mode' (Video), 'Hide DTHP' (Disabled), 'Enable Restricted Incoming List' (checked), 'Enable Restricted Outgoing List' (checked), 'Enable Allowed Incoming List' (checked), 'Enable Country Code' (unchecked), 'Country Code' (empty), 'Area Code' (empty), 'Match Direction' (From left to right), 'Start Position' (0), 'Hide Digits' (0), 'Allow IP Call' (checked), 'Emergency Call Number' (112), 'Caller Display Type' (Normal), 'P2P IP Prefix' (empty). A 'NOTE' box on the right states: 'Description: Function settings, you can set the phone features. Including the basic settings, tone settings, DND settings, intercom settings, redial settings, the corresponding code settings, password dial settings, power light settings.'



Step 4: Unlock Setting

Function Key--- Set unlock key type to "DTMF", and value is the password to open the correct access control device.




7 Local Operation



Answer/hang up calls

When the door phone calls the indoor station, click the  key to answer the call, and click the  key to hang up the call.



Unlock the door

During the call of indoor station and door phone, click the  key to unlock the door.

Turn on/off the monitoring

Click the  key on the indoor station to check the monitoring screen, and click the  key to exit. (Only support for the communication with video door phone)

Call management center

Click the  key on the indoor station to call the management center, and click the  key to cancel the call.

Fanvil Technology Co., Ltd

www.fanvil.com

Email:sales@fanvil.com Tel:0755-2640-2199

Add: 4F, Block A, Building 1#, GaoXinQi Hi-Tech Park (Phase-II),
67th District, Bao'An, Shenzhen, China