



## OVERVIEW

The Round Ceiling IP Speaker (IPSCM-RMe) is PoE loudspeaker that works well for offices, hallways, classrooms, or any standard-sized room. The IPSCM-RMe ships as a single speaker.

### AUDIO



8" high-efficiency speaker  
Audio coverage up to  
600 ft<sup>2</sup>

### ANALOG INTEGRATION



General purpose input for  
a sensor or call button

### SOFTWARE



Diagnostic software included  
Compatible with third-party  
software, including InformaCast,  
Revolution, and Cisco CallManager

### SIP INTEGRATION



SIP-enabled  
Easily interfaces with VoIP/SIP  
phone systems

## SOLUTIONS

- Paging
- Intercom (Requires BTN-KIT-MIC-ND)
- Bell scheduling
- Code alerts
- Emergency notification
- Music streaming

## ADDITIONAL FEATURES

- Built-in web server
- Full multicast and broadcast support
- Requires Cat5 or Cat6 cable
- 1 general purpose input

## COMPATIBLE PERIPHERALS & ACCESSORIES

**Button Kit with Microphone**  
BTN-KIT-MIC-ND

**Drywall Bracket**  
IPSCM-RM-DB

**Drop Ceiling Bracket**  
IPSCM-RM-CB

**Back Box for Round Speaker**  
IPSCM-RM-BB

## SOFTWARE

The IPSCM-RMe integrates easily with third-party mass notification software, as well as SIP and VoIP phone systems, enabling a facility to take advantage of all the device capabilities. The device also comes with diagnostic software (compatible to run alongside third-party software), and an on-board web server interface, both which provide the ability to monitor and troubleshoot the ANetD devices on the network.

### Third-Party Software

- InformaCast (Singlewire)
  - Revolution (Syn-Apps)
  - IPSession (IPCelerate)
  - MessageNet Systems
  - BellComander (Acro Vista)
- And more!

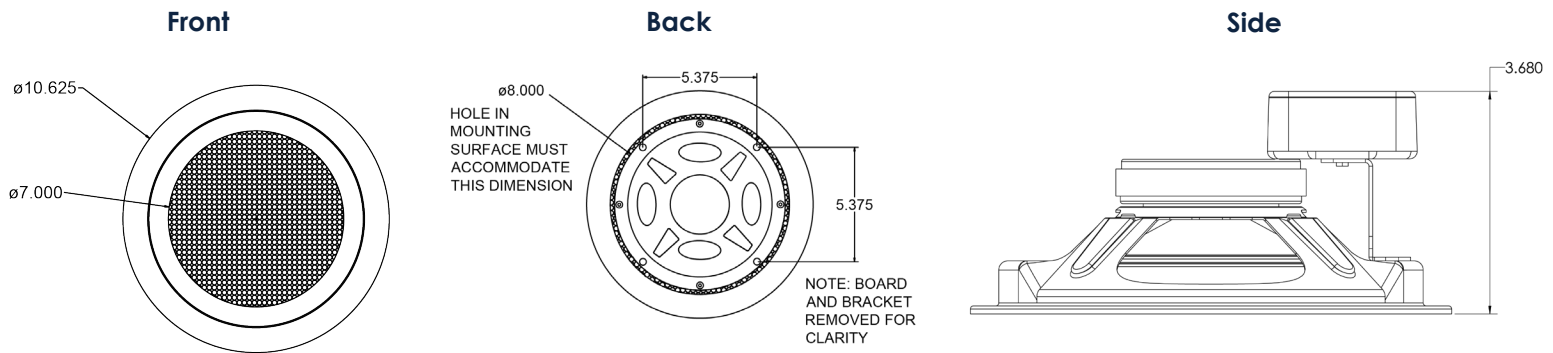
### VoIP Phone Systems

- Cisco CallManager
  - Mitel
  - Avaya
  - 3CX
  - Polycom
- And more!

### IPClockWise

- Diagnostic tool included with device purchase
- Complements investment in third-party software
- Developed and supported by Advanced Network Devices

## DIMENSIONS



SPECIFICATIONS	IPSCM-RMe
ETHERNET I/F	10/100 Mbps
AUDIO POWER	8 W / 16 W
SPEAKER SIZE	8"
AVERAGE SENSITIVITY	95dB, 1W /1M
FREQUENCY RESPONSE	60 Hz - 17 kHz
AUDIO PAYLOAD TYPES	G711, A-law and $\mu$ -law
POWER INPUT	PoE (IEEE802.3af) 15.4 W or PoE+ (IEEE802.3at) 30.0 W
SUPPORTED PROTOCOLS	SIP, IPv4, IPv6, 802.1X, HTTP, SLP, TFTP, NTP, SNMPV1 & SNMPV2c, DHCP, IGMP, ICMP, TCP/IP, LLDP-MED, UDP, MDNS & MDNS-SD
OPERATING TEMPERATURE	-10° TO 50° C (14° TO 122° F)
DIMENSIONS	10.5" diameter x 3.68" deep
WEIGHT	4 lbs (1.8 kg)
WARRANTY	2 Year Limited

*Due to continual product development, specifications are subject to change without notice.*

