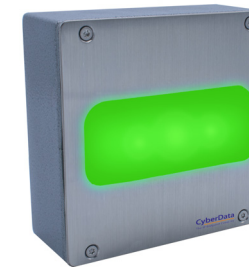


Contacting CyberData

<b>Corporate Headquarters</b>	
CyberData Corporation 3 Justin Court Monterey, CA 93940, USA	Sales: (831) 373-2601 ext. 334 Support: 831-373-2601 ext. 333 Support Website: <a href="http://support.cyberdata.net/">http://support.cyberdata.net/</a> RMA Department: (831) 373-2601 ext. 136 RMA Email: <a href="mailto:RMA@CyberData.net">RMA@CyberData.net</a> RMA Status: <a href="http://support.cyberdata.net/">http://support.cyberdata.net/</a> Warranty Information: <a href="http://support.cyberdata.net/">http://support.cyberdata.net/</a>
Phone: 831-373-2601 Fax: 831-373-4193 <a href="http://www.cyberdata.net/">http://www.cyberdata.net/</a>	

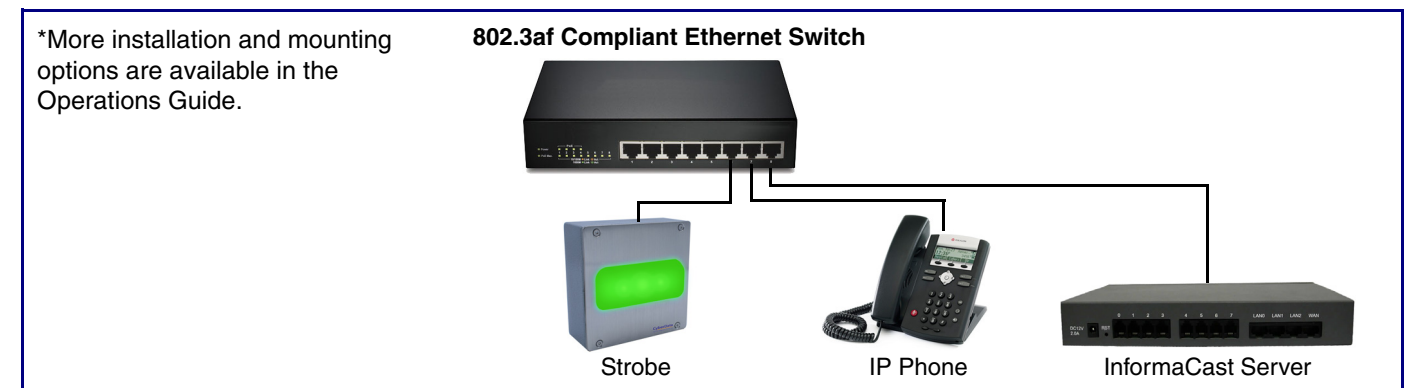
Installation Quick Reference  
InformaCast Enabled RGB (Multi-Color) Strobe  
**011489**



Parameter	Factory Default Setting
IP Addressing	DHCP
IP Address <sup>a</sup>	10.10.10.10
Web Access Username	admin
Web Access Password	admin
Subnet Mask <sup>a</sup>	255.0.0.0
Default Gateway <sup>a</sup>	10.0.0.1

a. Default if there is not a DHCP server present.

Typical System Installation



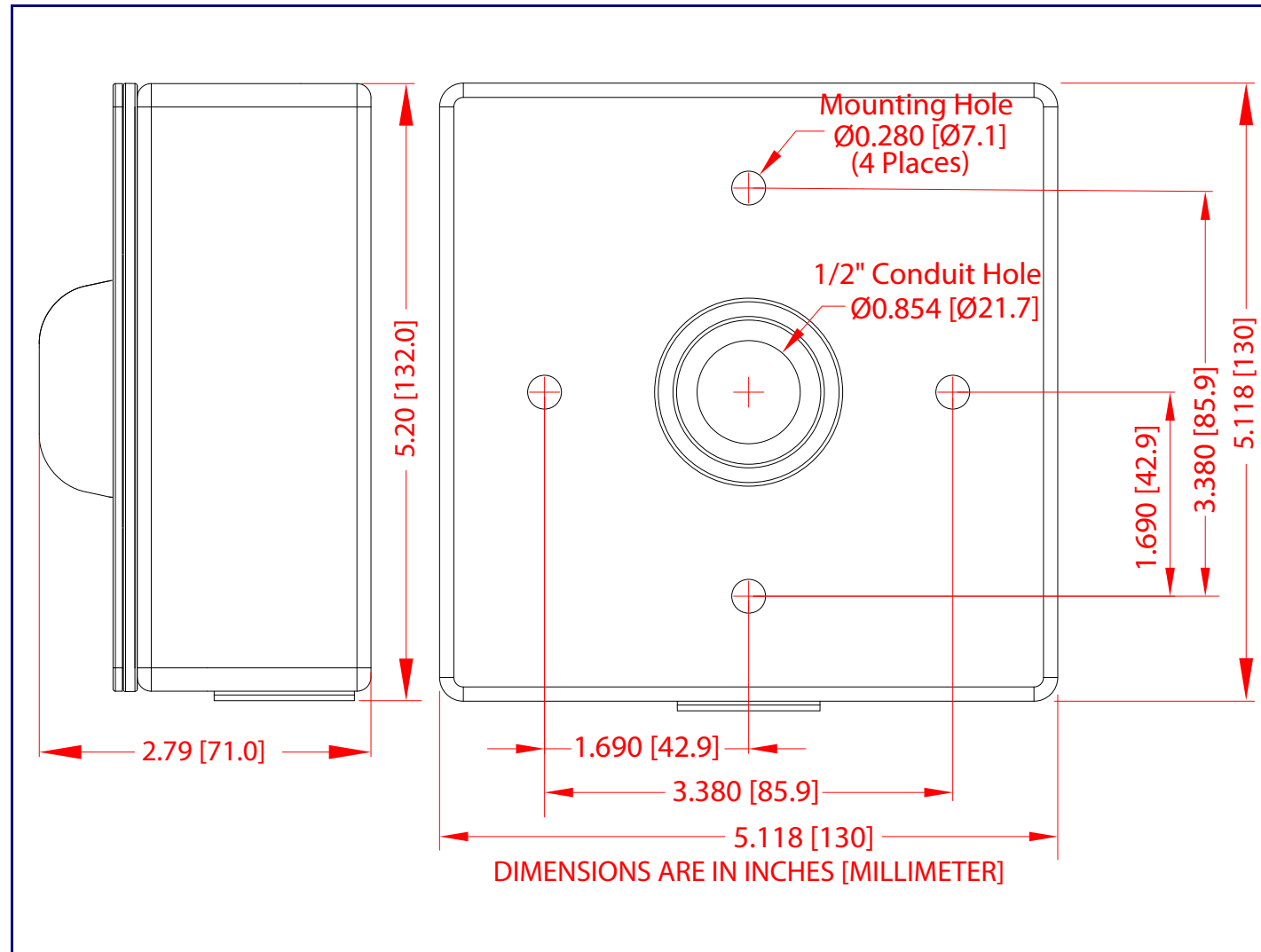
Getting Started

- Download the *Operations Guide* PDF file, from the InformaCast Enabled RGB (Multi-Color) Strobe product page at: <https://www.cyberdata.net/products/011489>
- Create a plan for the locations of your InformaCast Enabled RGB (Multi-Color) Strobes.
- **WARNING:** This product should be installed by a licensed electrician according to all local electrical and building codes.
- **WARNING:** To prevent injury, this apparatus must be securely attached to the floor/wall in accordance with the installation instructions.
- **WARNING:** The PoE connector is intended for intra-building connections only and does not route to the outside plant.
- **WARNING:** This enclosure is not rated for any AC voltages!

Parts

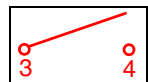
(1) T-15H Torx Key 	(1) Hole plug assembly 	<b>Optional Accessories (for gooseneck mounting)</b> (4) Carriage bolt nuts  (4) Carriage bolts  (4) Carriage bolt washers 
(4) Security Torx Screw 		

## Dimensions and Rear View with Mounting Holes



## Connections

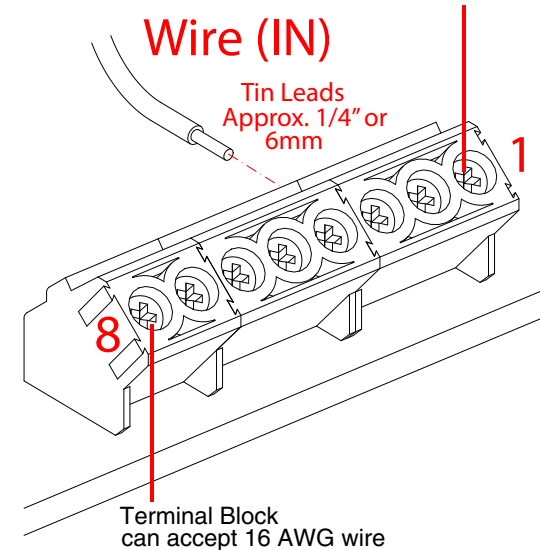
Alternate Power Input:  
 1 = +8 to +12VDC @ 1000mA Regulated Power Supply\*  
 2 = Power Ground\*



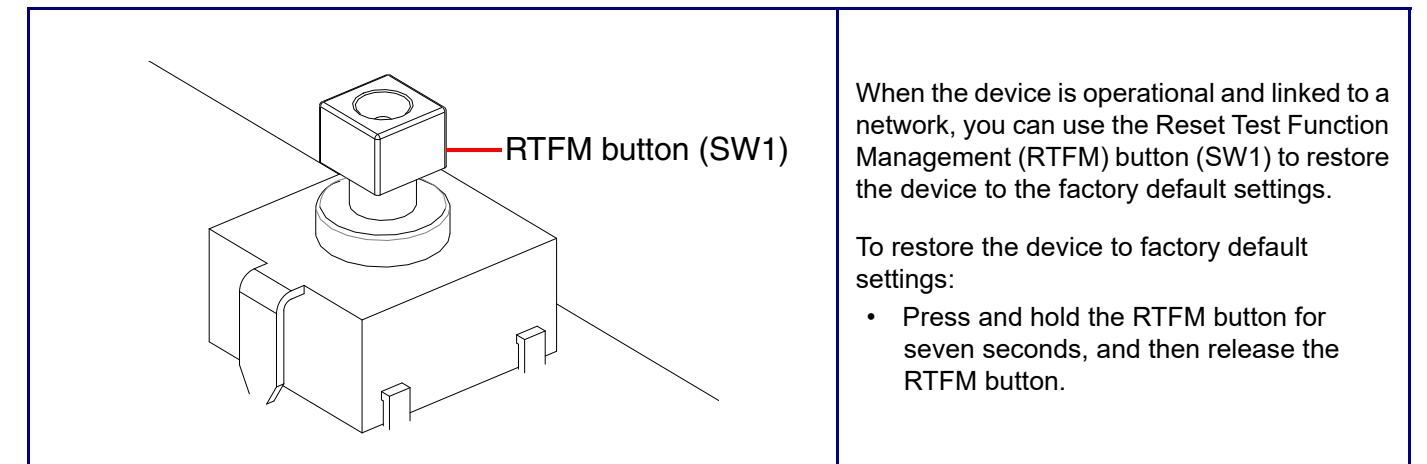
Relay Contact:  
 (1 A at 30 VDC for continuous loads)  
 3 = Relay Common  
 4 = Relay Normally Open Contact  
 5 = Sense Input  
 6 = Sense Ground  
 7 = Remote Switch "A"  
 8 = Remote Switch "B"

\*Contacts 1 and 2 on the terminal block are only for powering the device from a non-PoE 12VDC power source as an alternative to Network PoE power. Use of these contacts for any other purpose will damage the device and void the product warranty.

Use a 3.17 mm (1/8-inch) flat blade screwdriver for the terminal block screws



## RTFM Button



## Connecting and Sealing the Singlewire InformaCast RGB Strobe

