

1128 LED Strobe Light

Installation & Configuration



- | | |
|----------------|------------------------------------|
| 1128 | Clear lens only |
| 1128A | Clear lens with AMBER cover |
| 1128B | Clear lens with BLUE cover |
| 1128R | Clear lens with RED cover |
| 1128ABR | Clear lens with 3 color cover kit |

CONTENTS

Important Safety Information.....	3
About the 1128 Strobe.....	4
Common Applications.....	4
Quick Start.....	5
What's Included.....	6
Wiring Connections.....	7
Optional Colored Lens Cover.....	10
Specifications	10
FCC Compliance	11

Important Safety Information



The 1128 Strobe is **NOT INTENDED FOR FIRE ALARM SIGNALLING APPLICATIONS.**

The 1128 Strobe is intended for informative signaling in conjunction with unified communication systems. The 1128 Strobe is suitable for OSHA and ADA compliance when properly located and configured.



DO NOT LOOK DIRECTLY at the 1128 Strobe while operating in close proximity as vision may be affected. The LEDs in the 1128 Strobe are classified according to the IEC 62471-2006 standard as "RG-2" for risk group 2. This is defined as "*Moderate risk. Does not pose a hazard due to aversion response to bright light or thermal discomfort*".



PHOTO-SENSITIVITY in some people with epilepsy can trigger seizures from flashing or flickering lights. It is possible that some flash patterns of the 1128 Strobe could trigger a seizure for some individuals under some conditions. High intensity patterns should only be selected if necessary for the 1128 Strobe to be effective.

Wet or Outdoor Environments

The 1128 LED Strobe is intended for indoor or outdoor locations and may be subjected to spray or weather provided the rear wiring cavity is properly sealed to prevent water ingress.

Gaskets included with the 1128 LED Strobe may be effective against water ingress on some, but not all surfaces in which case additional protective measures must be taken such as a perimeter sealant.

Wiring connections must not leave the building perimeter without adequate lightning protection.

About the 1128 Strobe

The 1128 Strobe flash intensity can be chosen to suit the application and environment. There are non-flashing patterns for passive, gentle notification, and aggressive patterns for maximum conspicuity in busy environments

The 1128 Strobe is typically wall or ceiling mounted. The eight efficient and powerful LEDs cast light 360 x 180 degrees with some light illuminating the surface surrounding the 1128 Strobe for additional visibility. Light output is equally intense in every direction unless a directional pattern is chosen.

The 1128 Strobe can be activated by:

- Dry contact closure input
- Ringing from FXS port or phone line
- Auxiliary input detection of 3-30V DC or AC (will also detect audio output from Algo 1825 Duet Plus ringer)

Common Applications

- Telephone ring notification in noisy environments
- Silent ring notification in quiet environments
- Call center ACD queue threshold alert (by ringing)
- OSHA safety compliance
- ADA compliance
- Door open visual alarm
- Security notification

Quick Start

1. Connect the supplied 24VDC output wall adapter to the 1128 Strobe using either the power jack or terminal block 24VDC connections. When first powered the Strobe will turn on each LED individually as a test.
2. Activate the 1128 Strobe by connecting the RELAY IN contacts or connect to FXS port or telephone line and apply ring.

Installation & Mounting

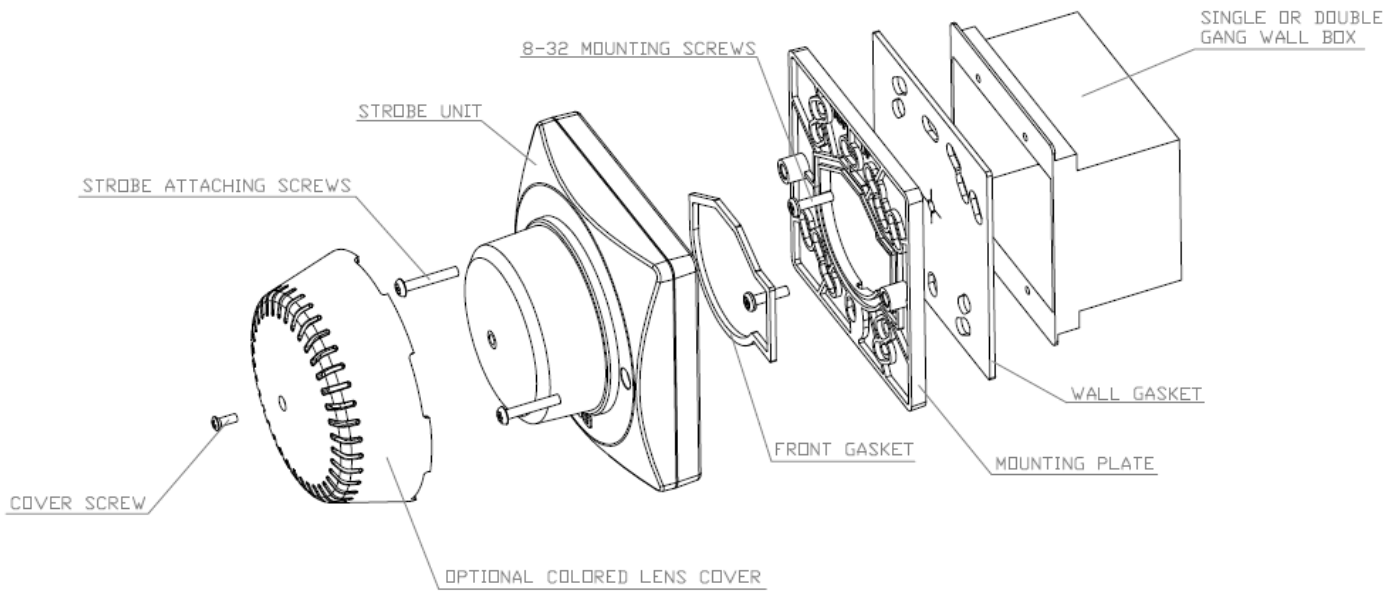
The 1128 Strobe can be wall or ceiling mounted. Concealed wiring may enter from the wall into the wiring cavity. Alternatively, surface wiring may enter through a channel from the bottom edge. The channel is intended for cabling 0.2" or 5mm in diameter and is intentionally snug to protect against moisture ingress.

The 1128 Strobe can be mounted in any orientation but both the bracket and housing identify TOP. This keeps the bracket wiring channel on the bottom.

The mounting plate may be used to mount over flush or surface mounted electrical boxes or mud rings and fits securely to a 2 gang electrical box for installation with wiring conduit.

The 1128 Strobe is rated IP65 for wet locations however care must be taken to ensure that water does not enter the wiring cavity. The supplied gaskets or customer provided sealant must be used to protect the wiring cavity in wet environments. In dry indoor environments the gaskets are not required. If the wall gasket is used with surface wiring then the gasket should be attached after placing the cable into the wiring channel.

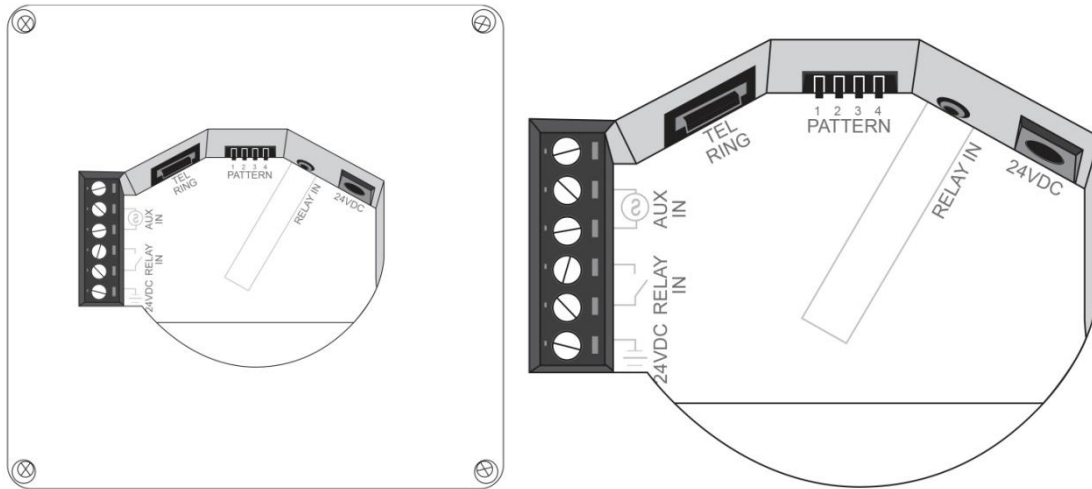
The 1128 Strobe should not be installed beyond a building perimeter without adequately protecting the building wiring from lightning surge.



What's Included

- 1128 Strobe unit with clear lens
- Power supply 24VDC
- Mounting bracket plate
- Gaskets
- Colored lens cover (if color option ordered)
- This guide

Wiring Connections



The 1128 Strobe is typically wall or ceiling mounted with concealed wiring run back to an equipment room or closet. In such cases the terminal block is used for wiring connections.

If the power supply is remotely located from the 1128 Strobe then the connector of the power supply will need to be cut off and spliced to wiring (typically 24 AWG telephone wire). Telephone line connection wiring (if used) must be terminated with a RJ11 or RJ12 plug.

The 1128 Strobe may also be "plug and play" connected using jacks to connect power, relay input, and telephone line.

24VDC JACK

One of two options for connecting power. The supplied wall adapter may be directly plugged into this jack if the 1128 Strobe is located near an outlet and will not be hard wired.

RELAY IN JACK

One of two options for connecting a relay input. Some Algo products provide a relay output using a 2.5mm jack and include a 2.5mm cord that can be used to connect to the 1128 Strobe.

TEL RING JACK

This jack accepts a standard telephone modular cable for connection to a telephone line, ATA, or FXS port from a telephone system. The 1128 Strobe will activate when it detects ring at this jack.

Terminal Block 24VDC

Hard wired input for 24V power supply. Polarity independent. Note that 24VDC will appear on these terminals even if power is applied using the **24VDC JACK** instead.

Terminal Block RELAY IN

Shorting (connecting) these terminals to each other will cause the 1128 Strobe to activate.

Terminal Block AUX IN

Detects 3-30V DC or AC (will also detect audio output from Algo 1825 Duet Plus ringer SPKR OUT)

Flash Patterns

Choose from 16 available patterns. The 1128 Strobe contains 8 high intensity LEDs each capable of producing 643 lumens or 198 Candela. In addition to being very bright, the LEDs can be fired simultaneously or individually for interesting effects. Light output is equally bright over 360 x 180 degrees and also illuminates the mounting surface for even greater conspicuity.

Patterns 0 & 1 do not fire the center LEDs and are intended for a ceiling mount application where light is required in every horizontal direction but not straight down.

Pattern 11 does not fire the top and bottom LEDs and is intended for a wall mount application in a hallway with maximum conspicuity to the left, right, and center.

Flash Pattern Options Table (1 = UP, 0 = DN)

No	Switch	Description	Application		Intensity/Strobe		
			Wall	Ceiling	High	Med	Low
15	1111	Classic strobe slow	•	•		•	
14	1110	Classic strobe medium	•	•		•	
13	1101	Classic strobe fast	•	•		•	
12	1100	Flashing	•	•		•	
11	1011	Side to side	•			•	
10	1010	Pulse	•	•			•
9	1001	Steady bright	•	•			•
8	1000	Steady dim	•	•			•
7	0111	Rotating strobe	•	•	•		
6	0110	Multi-strobe slow bright	•	•	•		
5	0101	Multi-strobe slow dimmed	•	•		•	
4	0100	Multi-strobe fast bright	•	•	•		
3	0011	Multi-strobe fast dimmed	•	•		•	
2	0010	Multi-strobe and dim holdover	•	•	•		
1	0001	Rotate slow		•		•	
0	0000	Rotate fast		•		•	



PHOTO-SENSITIVITY in some people with epilepsy can trigger seizures from flashing or flickering lights. It is possible that some flash patterns of the 1128 Strobe could trigger a seizure for some individuals under some conditions. High intensity patterns should only be selected if necessary for the 1128 Strobe to be effective.

Synchronization

For flash patterns other than "steady" multiple 1128 Strobes activated by a continuous relay input will not be synchronized over extended time periods. Momentary relay input or typical telephone ring cadences will ensure synchronization.

Optional Colored Lens Cover

The 1128 Strobe is available with clear lens or optional colored covers in amber, blue, or red. The tinted color caps reduce the brightness and conspicuity of the 1128 Strobe.



Specifications:

Power Input:	12VDC 750 mA 24VDC 375 mA
Size:	4.8" W x 4.8" H x 3.0" D (12.2cm W x 12.2cm H x 7.6 cm D)
Optical:	8 LEDs 643 Lumens, 198 Cd
Ring Input:	20/25 Hz 20Vrms minimum
Relay Input:	Max 1 kOhm
Auxiliary Input:	3-30V DC or AC (rms)
Patterns:	16 selectable using 4 position switch
Environmental:	-4 to +122 deg F (-20 to +50° C); 10-95% RH non-condensing. Dry indoor location only unless wiring cavity protected from water ingress using supplied gaskets or other protective measures.
Compliance:	EN60950:2001, RoHS, CE, FCC, CSA/UL (USA & Canada)

FCC Compliance

This equipment has been tested and found to comply with the limits for a Class B digital device, pursuant to Part 15 of the FCC rules. These limits are designed to provide reasonable protection against interference in a residential installation. This equipment generates, uses, and can radiate radio frequency energy and, if not installed and used in accordance with the instructions, may cause harmful interference to radio communications. However, there is no guarantee that interference will not occur in a particular installation. If this equipment does cause harmful interference to radio or television reception, which can be determined by turning the equipment off and on, the user is encouraged to try to correct the interference by one or more of the following measures: 1) Reorient or relocate the receiving antenna, 2) Increase the separation between the equipment and receiver, 3) Connect the equipment into an outlet on a circuit different from that to which the receiver is connected, or 4) Consult the dealer or an experienced radio/TV technician for help.

More products from Algo



8128 SIP and **1128** Analog (FXS or dry contact) LED Strobe Lights

Optional color caps for LED Strobe Lights



8180 IP loud ringer and wideband voice paging solution

1127 Desktop visual indicator



8036 SIP Video intercom with touch display & **8028** all weather Doorphone

1202 Retail assistance and emergency notification button

