

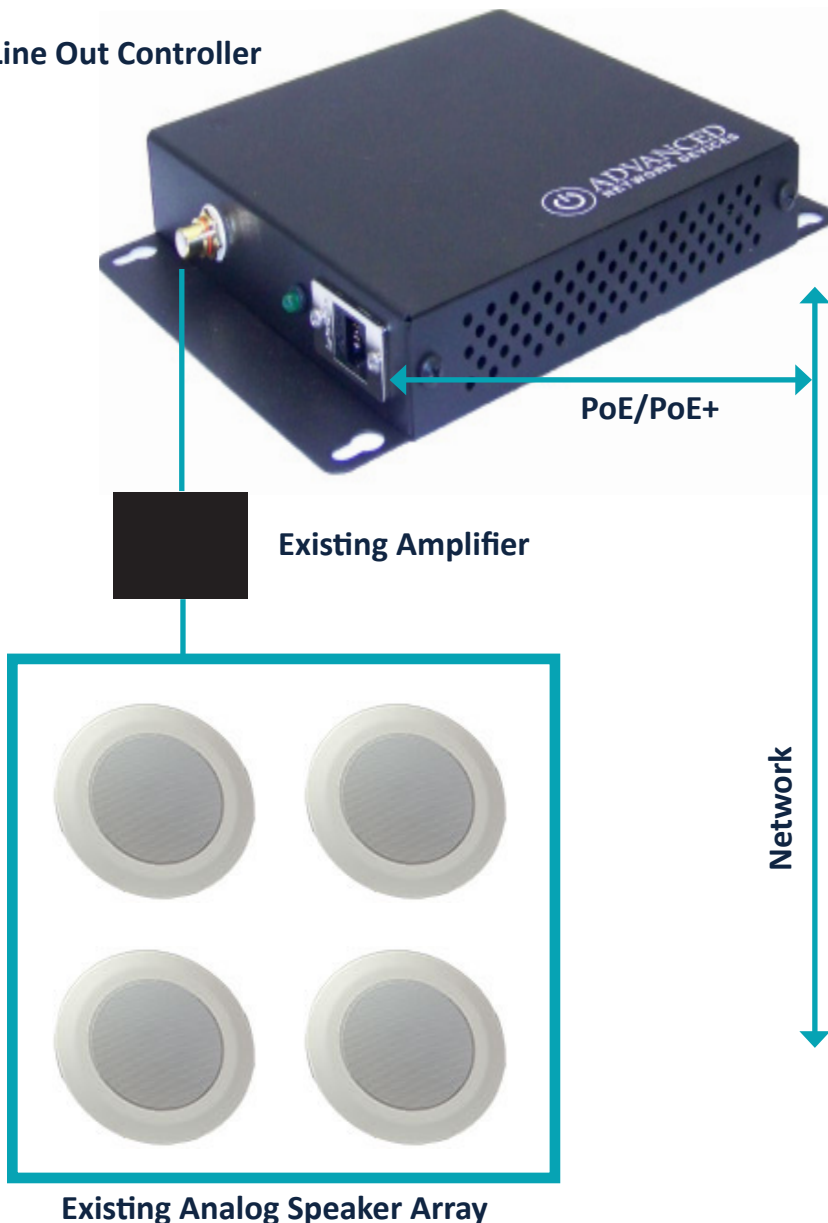
## Zone Line Out Controller

# ZONE-LO

### OVERVIEW

The AND Zone Line Out Controller connects to your existing amplifier to make your existing analog speakers IP-enabled. Along with AND Power over Ethernet (PoE/ PoE+) devices, all IP-enabled devices connect to existing data networks, allowing simultaneous broadcasting to both phones and speakers.

### Zone Line Out Controller



### FEATURES

#### Built-In Web Server

- Send broadcast messages to IP-enabled devices from the web page
- Configurable volume
- Device Status
- Field upgradable

#### Easy Installation

- Requires PoE CAT 5 connection to network (up to 300 ft)
- No power cord needed
- Green "Power On" indicator
- Wall mount available (not included)

#### Multicast

- Full multicast and broadcast support
- Send audio to individual, multiple, or all devices simultaneously (when combined with additional AND zone controllers)

#### Line Out

- Unbalanced line level audio out via RCA connector
- Line Out signal level up to 2 Vpp

#### Sound Masking

- Generate configurable pink noise via push button or program

## SOFTWARE OPTIONS

AND devices can operate standalone. They do not require external software for atomic timekeeping or sending text messages from the device's web server. However, you can use application software to take advantage of the device capabilities, and then integrate the devices into applications like a mass notification system, a phone network, etc.

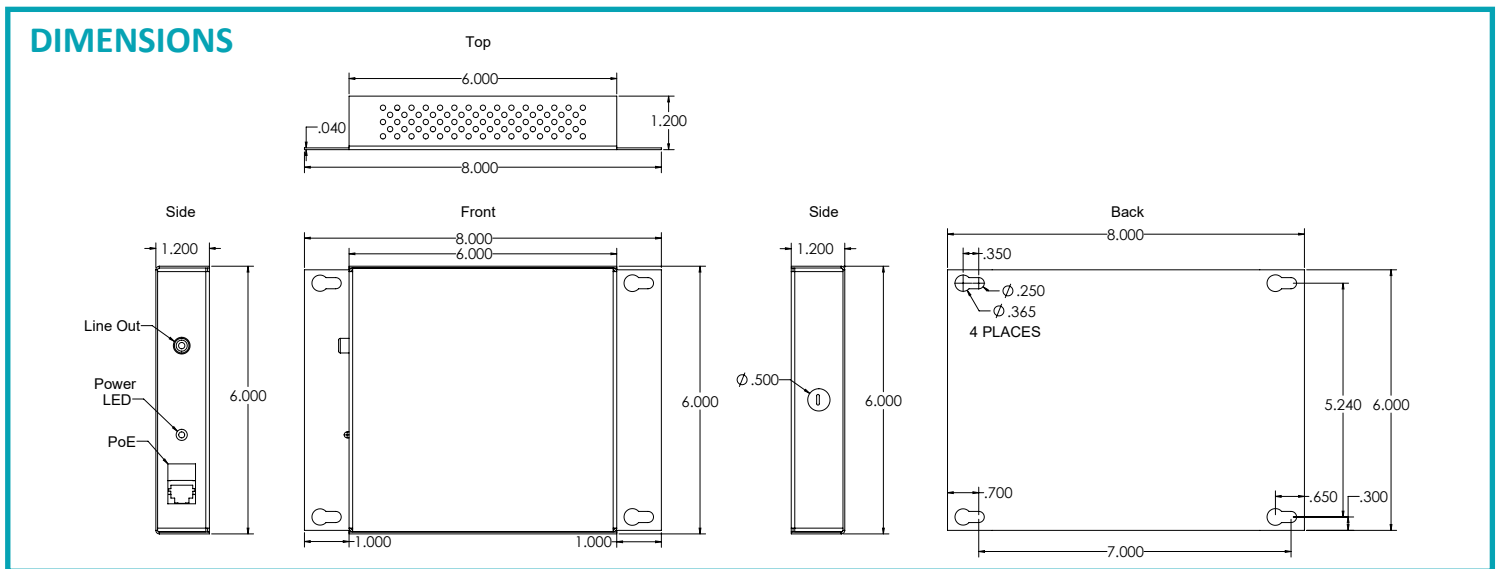
### AND IPClockWise (Developed and Supported by AND)

- Instantly finds and provides controls for all of your AND devices.
- Provides a clock / alarm feature that supports scheduling events, alarms, stopwatch, and timer, with an optional sound library.
- Sends news / RSS / Twitter / weather / stock feeds, etc. to AND devices with a display.

### Third-Party Software

- AND maintains a long-standing relationship with various third party software providers.
- AND devices support Informacast (Singlewire), Revolution (Syn-Apps), IPSession (IPCelerate), MessageNet Systems, BellComander (Acro Vista), and others.
- AND devices will work with SIP-compatible products / PBX, such as Asterisk, 3CX, ShoreTel, etc.

**NOTE: AND IPClockWise and third-party software can run concurrently.**



## SPECIFICATIONS

Ethernet I/F	10/100 Mbps
Power Input	PoE (IEEE802.3af) 15.4 W or PoE+ (IEEE802.3at) 30.0 W
Supported Protocols	SIP, IPv4, HTTP, SLP, TFTP, NTP, SNMPV1 & SNMPV2c, DHCP, IGMP, ICMP, TCP/IP, UDP, MDNS & MDNS-SD
Operating Temperature	0° to 50° C (32° to 122° F)
Dimensions	8.0" W x 1.25" H x 6.0" D
Weight	1 lb 7 oz (652 g)
Warranty	2 Year Limited