

# SIP Paging Adapter

# CyberData

The IP Endpoint Company

The SIP Paging Adapter is a VoIP endpoint that interfaces analog paging systems with SIP and Multicast-based audio sources. The SPA (SIP Paging Adapter) can be configured to support two separate SIP extensions. SIP extension one passes audio through to the analog output spoken from the caller's handset. When called, SIP extension two plays a bell audio that can be used as a night ringer when configured in a night ring group. The SPA supports up to 9 user-loadable page messages that can be played by a DTMF command. The SPA supports a line-level input for playing background music.

CyberData has maintained one of the most comprehensive list of IP PBX servers certified to work with CyberData VoIP Products



## Features

- Loud ringer - second SIP extension
- Compatible with most analog amplifiers in the market
- HTTP Command Interface
- 10 channel prioritized Multicast ports
- HTTP Web Interface and setup
- Built-in diagnostics
- Unbalanced Line-Out
- Remote amp fault sensor
- DTMF and programmatic controlled Relay
- Delayed page support
- DTMF pass-through
- Cisco SRST
- Rack mountable

## Related Products:



011146 SIP Paging Server with Bell Scheduler



011171 SIP Paging Zone Controller with 4-Port Audio Out



011093 1U Server Rack Mount

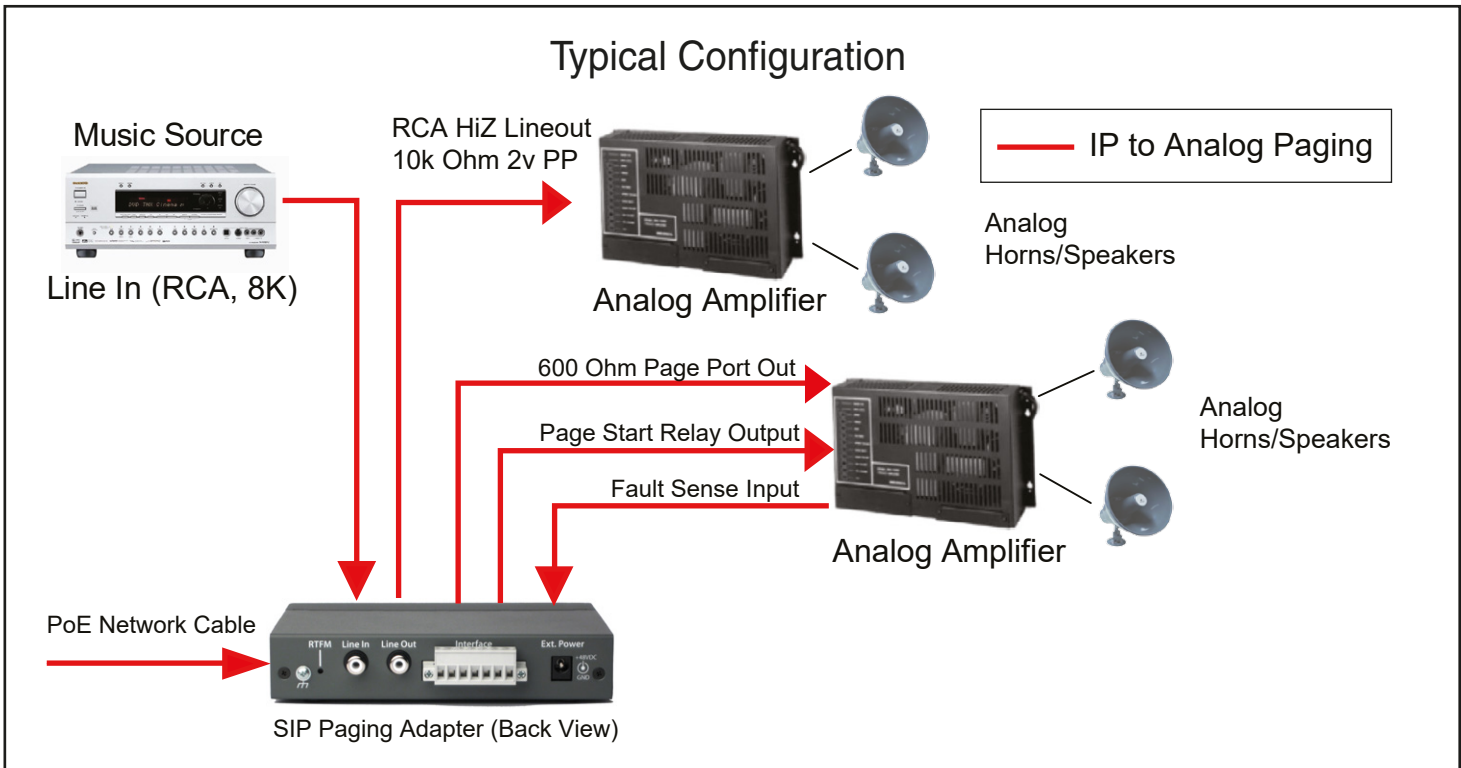
## Specifications

Ethernet I/F	10/100 Mbps
Protocol	SIP RFC 3261 Compatible
Power Input	PoE 802.3af or 48 VDC
<b>Line In:</b>	
Input Signal Amplitudes	2.0 VPP maximum
Input Impedance	10k Ohm
<b>Line Out:</b>	
Output Signal Amplitudes	2.0 VPP maximum
Output Level	+2dBm nominal
Total Harmonic Distortion	0.5% maximum
Output Impedance	10k Ohm
Page Port Output	Balanced 600 Ohm 5VPP
Payload Types	G.711 a-law, G.711 μ-law, and G.722
Operating Range	Temperature: -40° C to 55° C (-40° F to 131° F) Humidity: 5-95%, non-condensing
Storage Temperature	-40° C to 70° C (-40° F to 158° F)
Storage Altitude	Up to 15,000 ft. (4573 m)
Dimensions*	6.11 inches [155.19 mm] Length 4.05 inches [102.87 mm] Width 1.15 inches [29.21 mm] Height
Weight	1.2 lbs. [.54 kg]
Boxed Weight	1.8 lbs. [.82 kg]
Compliance	UL 62368-1, RoHS Compliant, FCC; Part 15 Class A, IEEE 802.3 Compliant; Reference Number for UL: E129569 Vol 4 Sec 1
Warranty	2 Years Limited
Part Number	011233

\*Dimensions are measured from the perspective of the product being upright with the front of the product facing you.

# SIP Paging Adapter

## Typical Configuration



## Connections

