

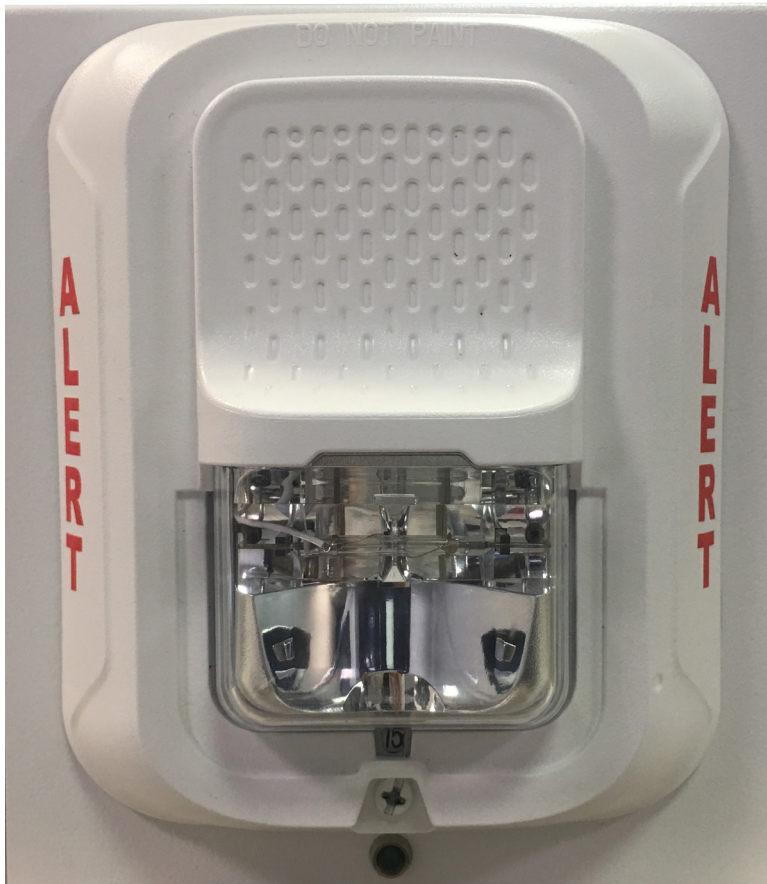
Smart IP Strobe

IPSTROBE

OVERVIEW

The IPSTROBE Power over Ethernet (PoE / PoE+) device connects to existing data networks to provide an additional mode of emergency notification or alert messaging. This SIP-enabled device can operate through software or a SIP phone system.

Activate the strobe using audio paging to IP speakers, or through a contact closure input in an environment such as secure door monitoring, push button activation, or existing security systems. Configure the IPSTROBE through an SNMP manager or IPClockWise.



FEATURES

Built-In Web Server

- Device Status
- Field upgradable

Easy Installation

- Requires PoE CAT 5 connection to network (up to 300 ft)
- No power cord or other equipment needed
- Mounts to a standard 4-inch square electrical box

Multicast

- Full multicast and broadcast support
- Unbalanced Line-level audio input
- Can configure to send Line-In audio to speakers on the network
- Can connect to external amplifier via Line-Out
- SIP ring detection alert
- Complete solution for larger areas with multiple devices

GPIO

- Two general purpose inputs
- Activate multiple ways including via telephone or via software

SOFTWARE OPTIONS

AND devices can operate standalone. They do not require external software for atomic timekeeping or sending text messages from the device's web server. However, you can use application software to take advantage of the device capabilities, and then integrate the devices into applications like a mass notification system, a phone network, etc.

AND IPClockWise

(Developed and Supported by AND)

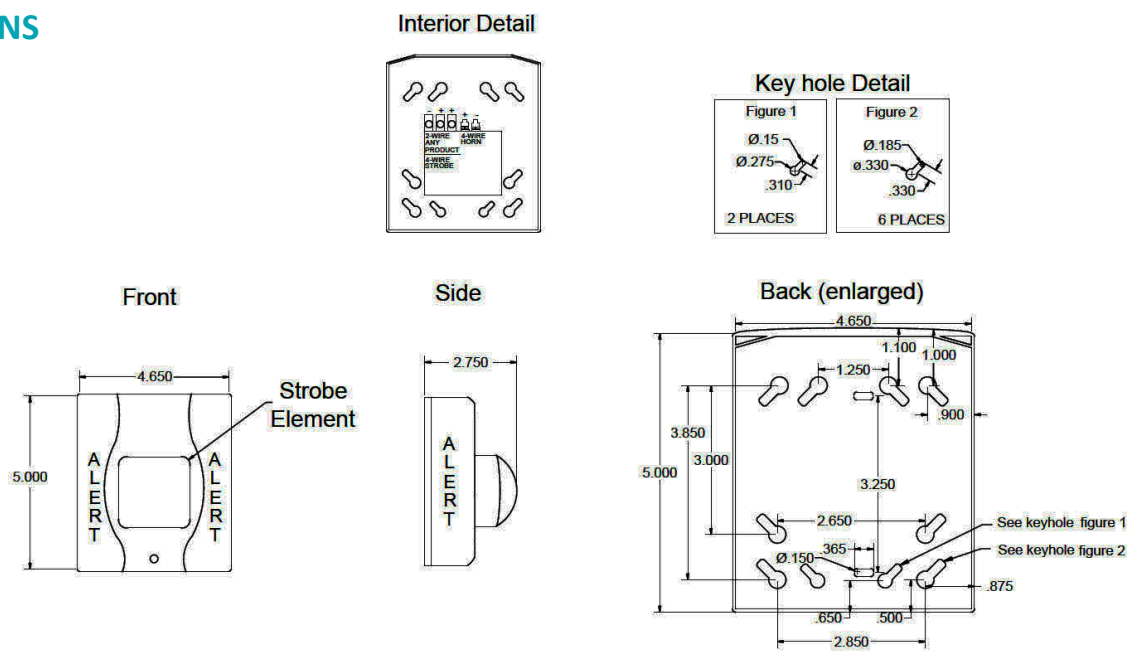
- Instantly finds and provides controls for all of your AND devices.
- Provides a clock / alarm feature that supports scheduling events, alarms, stopwatch, and timer, with an optional sound library.
- Sends news / RSS / Twitter / weather / stock feeds, etc. to AND devices with a display.

Third-Party Software

- AND maintains a long-standing relationship with various third party software providers.
- AND devices support Informacast (Singlewire), SA-Announce (Syn-Apps), IPSession (IPCelerate), MessageNet Systems, BellComander (Acro Vista), and others.
- AND devices will work with SIP-compatible products / PBX, such as Asterisk, 3CX, ShoreTel, etc.

NOTE: AND IPClockWise and third-party software can run concurrently.

DIMENSIONS



SPECIFICATIONS

Ethernet I/F	10/100 Mbps
Flash Rate	1 Flash per Second
Luminous Intensity	15/75 Candela
Power Input	PoE (IEEE802.3af) 15.4 W or PoE+ (IEEE802.3at) 30.0 W (LED Power Indication)
Supported Protocols	SIP, IPv4, HTTP, SLP, TFTP, NTP, SNMPV1 & SNMPV2c, DHCP, IGMP, ICMP, TCP/IP, UDP, MDNS & MDNS-SD
Operating Temperature	32° to 120° F (0° to 49° C)
Humidity Range	10 to 93% Non-condensing
Dimensions	4.65" W x 5" H x 2.75" D
Weight	2 lbs (0.91 kg)
Warranty	2 Year Limited

