

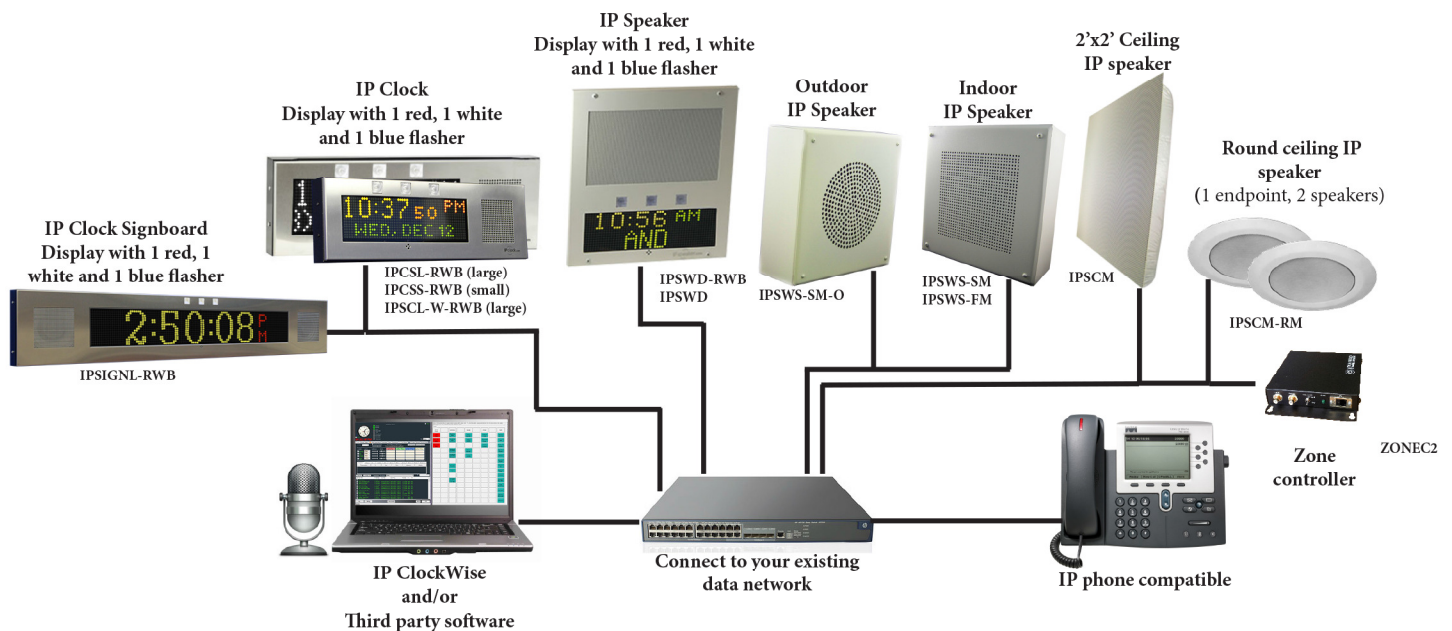
“Technology that is Revolutionary not Evolutionary”

Gen2 Products

Advanced Network Devices (AND) is committed to providing feature rich, intelligent network devices for use in commercial applications. IP is a perfect solution for clock/intercom systems and mass notification, allowing users to have full supervision and reporting of all end point devices.

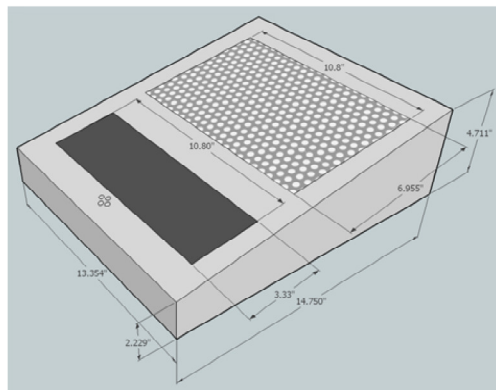
All AND Gen2 products support:

- Simple field upgrade ability.
- Built-in web servers for administration and maintenance.
- GPIO (General purpose I/O) for sensing conditions and controlling remote signals.
- Clock and scrolling text (on models which include a display).
- Power and control over one cable using PoE (Power Over Ethernet) and PoE+ (the new higher power standard)
- Most models have a microphone for bidirectional communication/intercom, remote monitoring, and system test.
- Interoperation with Cisco VoIP network and phones. Built in SIP functionality makes each device look like a phone extension.
- Sound Masking
- Individual device or group accessibility



IPSWD

IP Speaker (With Display)

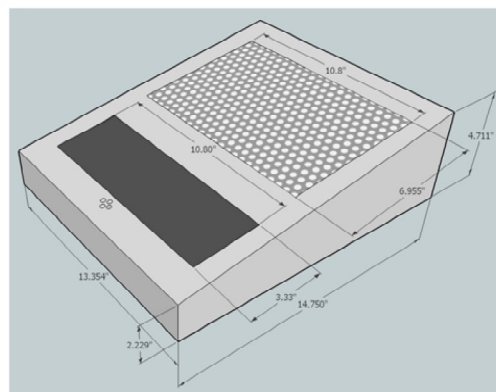


Features

- 8" high efficiency PA speaker
- Approx. 13"x15"x 5"
- Standard multicolor LED display
- Send audio and/or scrolling text to individual devices, all devices or groups of devices with IP ClockWise or third party mass notification software
- Built-in microphone for two way communication
- Auto-synchronizing clock with scrolling text display and date feature
- Built-in sound masking
- Backbox mounting options available: Flush or surface mount
- 2 inputs, 1 output

IPSWD-RWB

IP Speaker (With Display) and Flashers

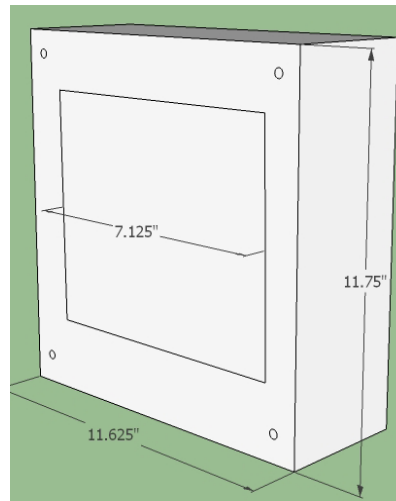


Features

- 8" high efficiency PA speaker
- Approx. 13"x15"x 5"
- Standard multicolor LED display
- Send audio and/or scrolling text to individual devices, all devices or groups of devices with IP ClockWise or third party mass notification software
- Built-in microphone for two way communication
- Auto-synchronizing clock with scrolling text display and date feature
- Built-in sound masking
- Individually controllable flashers- 1 red, 1 white, 1 blue
- Backbox mounting options available: Flush or surface mount
- 2 inputs, 1 output

IPSWS-SM

IP Speaker- Surface Mount

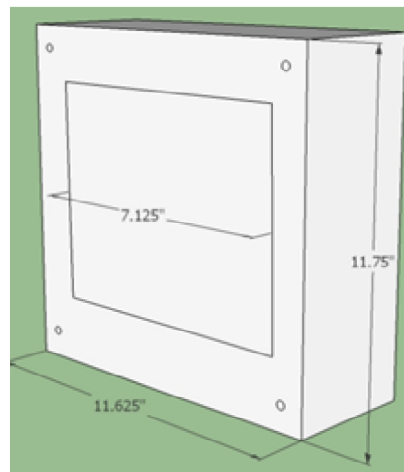


Features

- 8" high efficiency PA speaker
- Approx. 12"x12"x 4"
- Send audio to individual devices all devices or group of devices with IP ClockWise or third party mass notification software.
- Built-in sound masking
- Built-in microphone for two way communication

IPSWS-FM

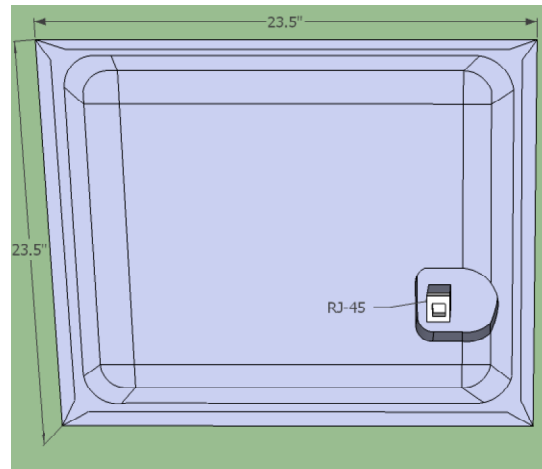
IP Speaker - Flush Mount



Features

- 8" high efficiency PA speaker
- Approx. 12"x12"x3"
- Send audio to individual devices all devices or group of devices with IP ClockWise or third party mass notification software.
- Built-in sound masking
- Built-in microphone for two way communication

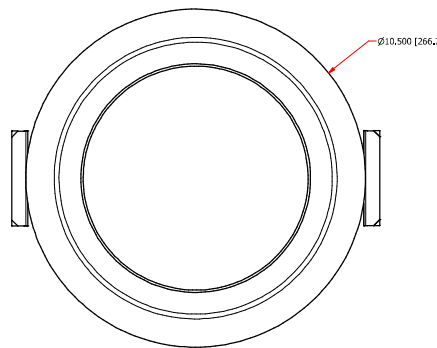
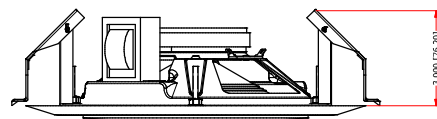
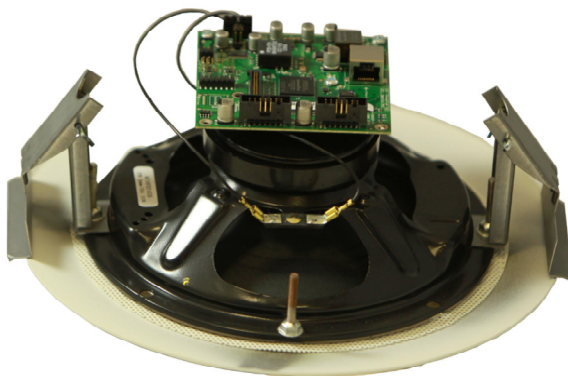
IPSCM 2"x2" Ceiling IP Speaker



Features

- 8" high efficiency PA speaker
- Approx. 2'x2'x3"
- Drop in replacement for a standard 2'x2' ceiling tile
- Send audio to individual devices, all devices or group of devices with IP ClockWise or third party mass notification software
- Built-in sound masking
- Built -in microphone for two way communication

IPSCM-RM Round Ceiling IP Speaker



Features

- 8" High efficiency PA Speaker
- Approx. 10.5" diameter
- 1 endpoint, 2 speakers
- Send audio to individual devices, all devices or group of devices with IP ClockWise or third party mass notification software
- Built-in sound masking
- Installs in drop ceiling or drywall
- 2 inputs, 1 output
- Independent line in
- Can be configured to send line in audio to the speaker and/or broadcast to additional speakers

IPSWS-SM-O Outdoor IP Speaker



Features

- PoE (Power over Ethernet)
- Approx. 11.5" x 11.5" x 4"
- Weather resistant
- Full multicast and broadcast support. Send audio to individual, multiple or all devices simultaneously
- Field upgradable
- Configurable volume

ZONEC2 Zone Controller 2



Features

- PoE or PoE+ (Power over Ethernet)
- Approx. 6" x 6" x 1.25"
- Connects directly to amplifier
- Make existing speakers IP addressable
- Unbalanced line level in/out
- Provides a complete solution for larger areas with multiple devices
- Built-in sound masking
- Wall mount capability
- Power indicator LED
- 8-ohm speaker level output
- 2 general purpose inputs, 1 general purpose output (12V option)
- Microphone input

IPCSS-RWB
IP Clock - Small
with Flashers



Features

- 4" High efficiency PA Speaker
- Approx. 18"x6"x 2"
- Standard multi-color LED display
- Send audio and/or scrolling text to individual devices, all devices or group of devices with IP ClockWise or third party mass notification software
- Built-in microphone for two way communication
- Auto-synchronizing clock with scrolling text display and clock function
- Built-in sound masking
- Individually controllable flashers, 1 red, 1 white, 1 blue
- Timer display

IPCSL-RWB
IP Clock - Large
with Flashers



Features

- 8" High efficiency PA Speaker
- Approx. 24"x9"x 4"
- Standard multi-color LED display
- Send audio and/or scrolling text to individual devices, all devices, or group of devices with IP ClockWise or other mass notification software
- Built-in microphone for two way communication
- Auto-synchronizing clock with scrolling text display and clock function
- Built-in sound masking
- Individually controllable flashers, 1 red, 1 white, 1 blue
- Timer Display

IPCSL-W-RWB
IP Clock - Large with
Flashers and White LED
Display



Features

- 8" High efficiency PA Speaker
- Approx. 24"x 9"x 4"
- Bright-white LED display for extended readability
- Send audio and/or scrolling text to individual devices, all devices, or group of devices with IPClockWise or other mass notification software
- Built-in microphone for two way communication
- Auto-synchronizing clock with scrolling text display and clock function
- Built-in sound masking
- Individually controllable flashers, 1 red, 1 white, 1 blue

IPSIGNL-RWB
IP Clock - Large Signboard
with Flashers



Features

- Two 8" High efficiency PA Speakers
- Approx. 52"x9"x 4"
- Standard multi-color LED display
- Send audio and/or scrolling text to individual devices, all devices, or group of devices with IPClockWise or other mass notification software
- Built-in microphone for two way communication
- Auto-synchronizing clock with scrolling text display and clock function
- Built-in sound masking
- Individually controllable flashers, 1 red, 1 white, 1 blue

IPCDS-RWB

IP Clock - Double Sided Small Clock with Wall Mount and Flashers

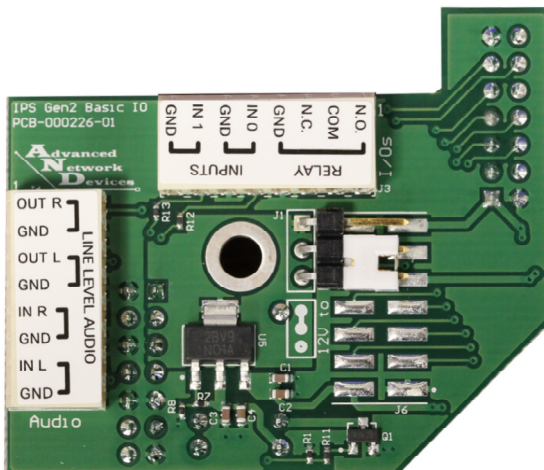


Features

- Two 4" High efficiency PA Speaker
- Approx. 23"x 6"x 6"
- Standard multi - color LED display
- Send audio and/or scrolling text to individual devices, all devices or group of devices with IPClockWise or third party mass notification software
- Built-in microphone for two way communication
- Auto-synchronizing clock with scrolling text display and clock function
- Built-in sound masking
- Individually controllable flashers, 1 red, 1 white, 1 blue

AND-PIA-1

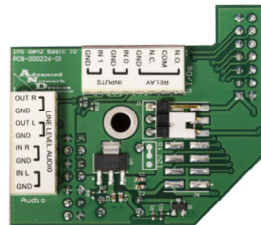
Peripheral Interface Adapter



Features

- Use with 18-22 AWG stranded or solid core wire
- Output relay functionality tested to operate with the System Sensor strobe (IPSTROBE-ACCY)
- Makes any combination of the following signals available:
 - Line level audio in/out
 - 2 General purpose inputs
 - General purpose output relay (with 12VDC option)
- Easy to install; no tools required

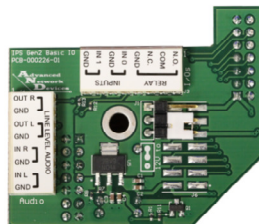
AND-BTN-KIT-1
Call Button Kit



Features

- Includes call button, faceplate, and peripheral interface adapter board (AND-PIA-1)
- Button diameter is .6" (15mm)
- Faceplate is 4.5"x 2.75" for installation with any standard single gang junction box
- Faceplate is 16 gauge polished stainless steel
- Use 18 AWG stranded or solid core wire pair to connect call button to peripheral interface adapter.
- AND-PIA-1 also includes "poke-home" access to these device signals:
 - Line level audio in/out
 - General purpose output relay (12 VDC option)
 - 1 additional general purpose input
- Vandal proof screws included to increase security

AND-STROBE-KIT-1
Strobe Kit



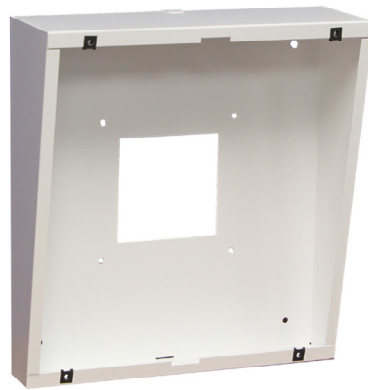
Features

- Includes wall-mountable strobe and peripheral interface board (AND-PIA-1)
- PoE+ recommended
- Strobe is approximately 5"x 6"x2.5"
- 15 and 15/75 candela settings available
- Mounts to a single gang, 4" square double gang, or 4" octagon junction box
- Use 18 AWG stranded or solid core wire pair to connect strobe to peripheral interface adapter.
- Peripheral interface board also includes "poke-home" access to these device signals
 - Line level audio in/out
 - 2 general purpose inputs

IPS-FM1 & IPS-SM-1
Flush and Surface Mounts for the
IPSWD and IPSWD-RWB



Flush



Surface

Features

- Surface Mount Enclosure
 - Mounts directly onto the wall
 - Approx. 13"x 15"x 5"
 - 3.5 pounds
 - Powder-coated 22 gauge galvanized steel
 - Wire knockouts provided where required
- Flush Mount Enclosure
 - Mounts inside the wall
 - Approx. 14.5"x 11.5"x 3.75"
 - 3 pounds
 - 22 gauge galvanized steel

Wood Frame
for IPCSS-RWB



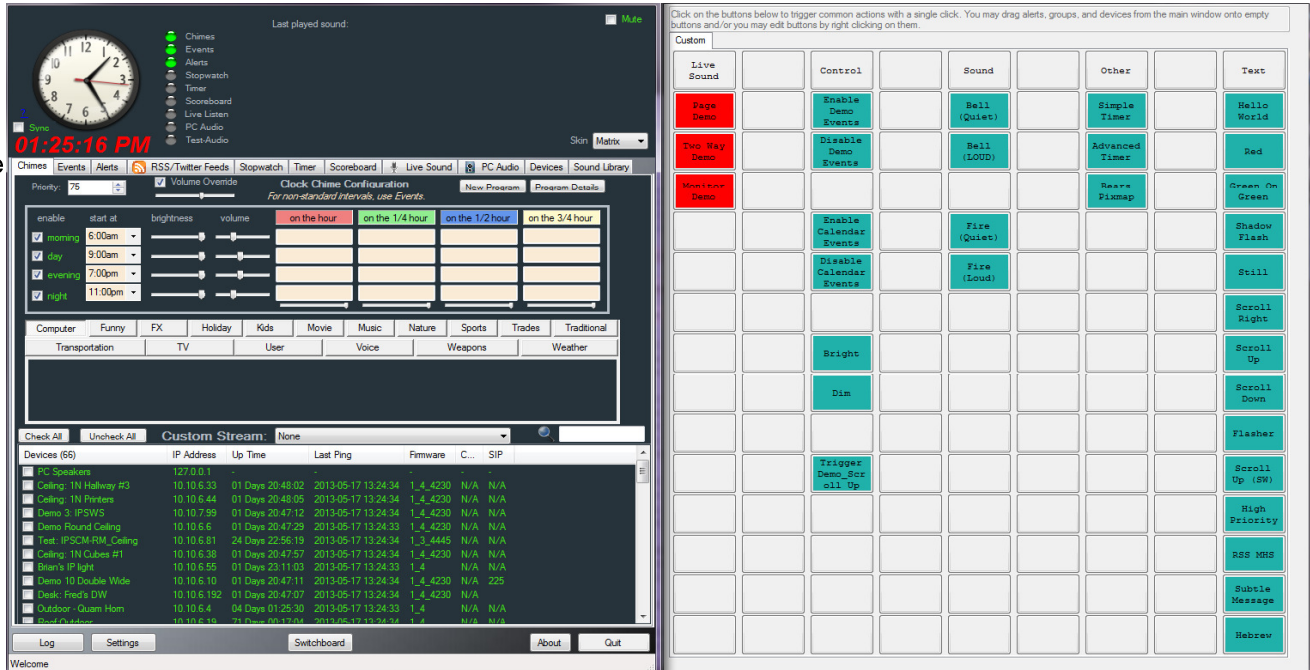
Features

- Fits the IPCSS-RWB clock model
 - Approx. 23"x 11"x 2.5"
 - 2 pounds
- Easy to install, magnets secure the frame around the device
- Tether wire included for additional security

Programmable Schedule



Network IP Devices

The screenshot displays the IPClockwise software interface. On the left, there is a clock showing 01:25:16 PM and a 'Programmable Schedule' section with options for morning, day, evening, and night. Below this is a 'Network IP Devices' list with columns for IP Address, Up Time, Last Ping, Firmware, and SIP. On the right, there is a 'Virtual Switchboard' grid with various buttons for actions like 'Page Desc', 'Enable Demo Events', 'Bell (Quiet)', 'Simple Timer', 'Hello World', etc.

Virtual Switchboard



Preview of IPClockwise

Features

- Runs in the background with virtually no CPU
- Configurable groups and zoning with volume override capability
- Allows for paging, two way communication/intercom, and monitoring
- Programmable clock chimes and bell scheduling
- Page to any device or group of devices
- Can send text and/or audio to individual devices, all devices, or group of devices
- Built-in ability to upgrade AND devices
- Optional User and Administrative passwords.
- Immediately detects AND devices (IP clocks and IP speakers) or defaults to the PC speakers.
- Built-in Scoreboard functionality allows you to manage the game time, possessions and score on a user friendly interface
- Display RSS/Twitter/News/Weather/Stock Feeds
- Schedule text/audio events for one or more devices
- Configurable virtual switchboard for push button access to alerts and paging
- Stream PC audio (Media Player, YouTube, Pandora, etc.) playable to devices
- Allows complete audio control over devices. Ability to import sound files to library
- Design your own graphics. Import bitmaps, jpegs, etc. which can be scheduled to display like other text messages.
- Send countdown or count up timers to one or many devices