

Installation Quick Reference

2-Port PoE Gigabit Switch

011187



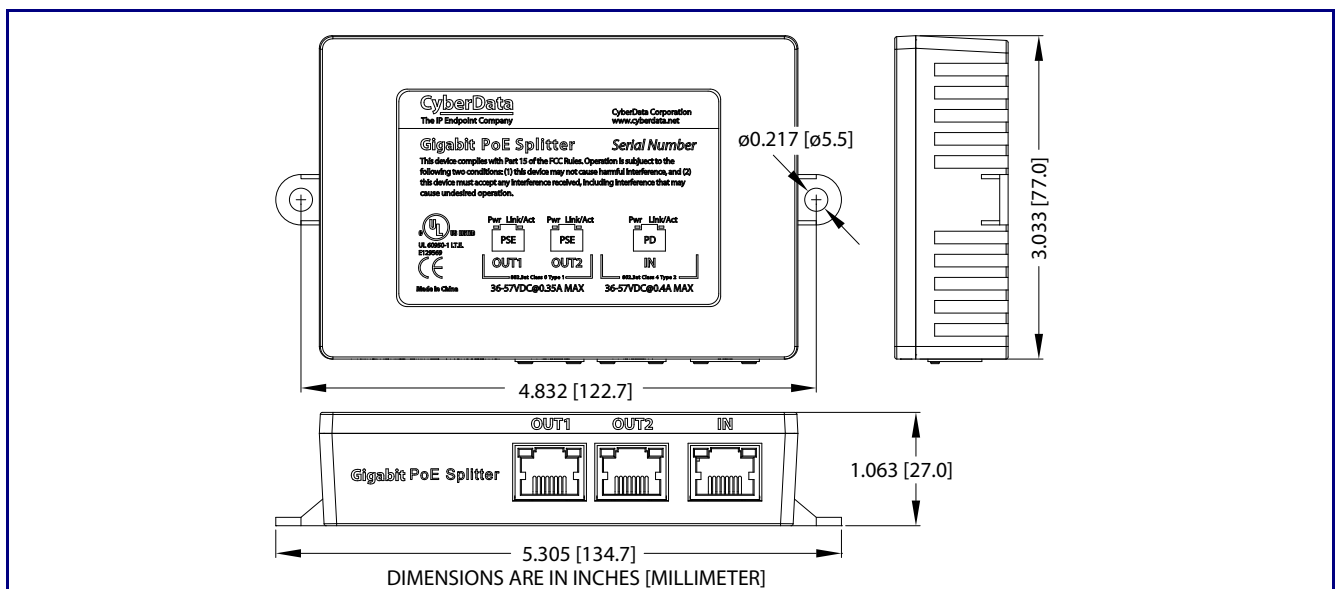
Parts List

- (1) 2-Port PoE Gigabit Switch

Operation Guide

- You can download the Operation Guide from the following web page:
<http://www.cyberdata.net/products/retail/networking/2portgigabitswitch/docs.html>

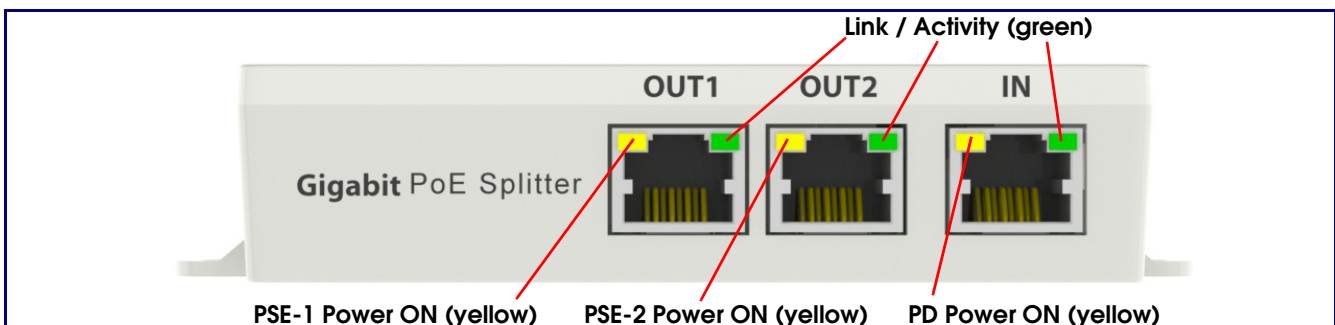
Dimensions



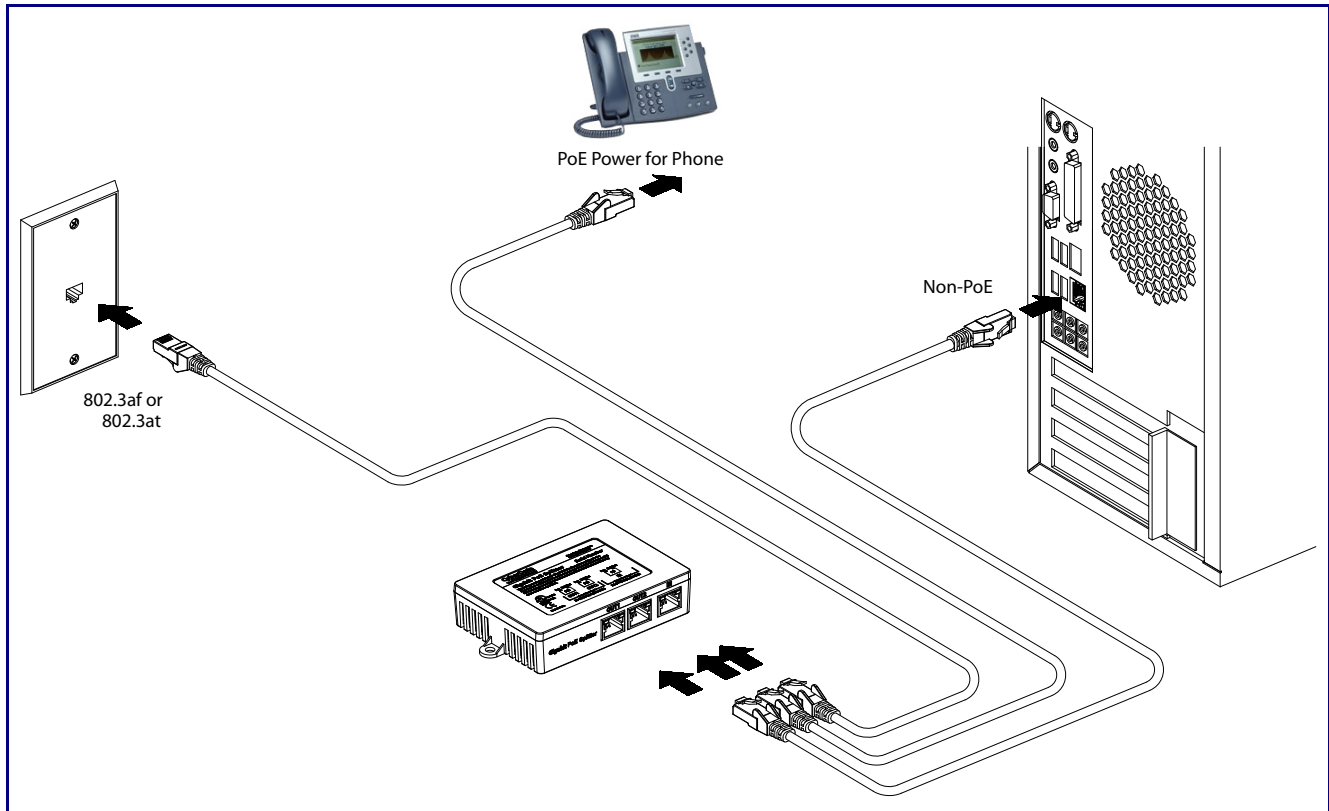
Features

- 2-port auto-negotiating (no crossover cable required)
- 10.100.1000 full duplex (PoE-powered)
- Link/Status and connection speed LEDs
- RoHS compliant

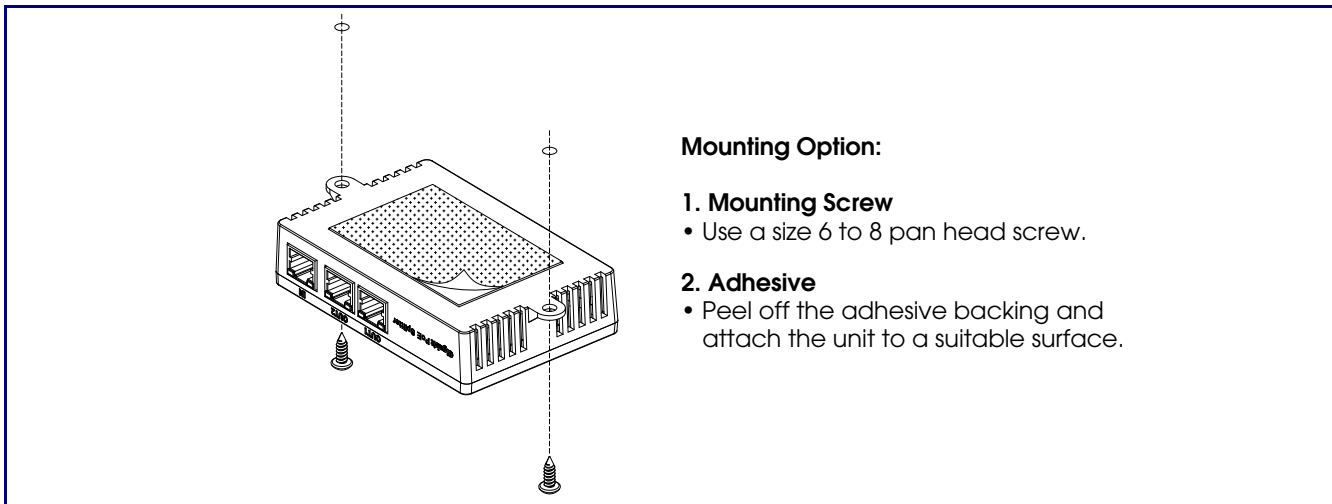
LEDs



Typical Installation



Mounting



Contacting CyberData

Corporate Headquarters

CyberData Corporation
3 Justin Court
Monterey, CA 93940, USA

Phone: 831-373-2601
Fax: 831-373-4193
www.CyberData.net

Sales: (831) 373-2601 ext. 334
Support: 831-373-2601 ext. 333
Web: <http://www.cyberdata.net/support/contactsupportvoip.html>
RMA Dept: (831) 373-2601 ext. 136
Email: RMA@CyberData.net
RMA Status: <http://www.cyberdata.net/support/rmastatus.html>

Warranty information is available at:
Web: <http://www.cyberdata.net/support/warranty/index.html>